

ACHEMA2024

World Forum and Leading Show for the Process Industries



Technical
Guidelines
October 2022

10 – 14 June 2024

Frankfurt am Main, Germany

www.achema.de



→ The items that have been marked contain new changes.

Contents

1.	Preliminary remarks	4
1.1	House Rules	4
1.2	Opening hours	6
→ 1.2.1	Set-up and dismantling periods	6
1.2.2	Opening hours during the event	9
2.	Traffic on the exhibition grounds, rescue routes, safety equipment	9
2.1	Traffic regulations, parking permits	9
2.2	Rescue routes	10
2.2.1	Fire department manoeuvring areas, fire hydrants	10
2.2.2	Emergency exits, emergency escape hatches, exhibition hall aisles	10
2.3	Safety equipment	10
2.4	Stand numbering	10
2.5	Guard services	11
2.6	Evacuation in an emergency	11
3.	Technical data and equipment of the exhibition halls and outdoor exhibition areas	12
3.1	Technical data of the exhibition halls	12
3.1.1	General lighting, types of electrical supplies, supply voltages	12
3.1.2	Compressed air, electrical and water supplies	12
3.1.3	Communication facilities	12
3.1.4	Sprinkler systems	12
3.1.5	Heating, ventilation	13
3.1.6	Outages	13
3.1.7	Stand air-conditioning	13
3.2	Outdoor exhibition areas	13
3.3	Designation of clear gate heights	13
4.	Stand construction regulations	13
4.1	Stand safety	13
4.2	Stand construction permits	14
4.2.1	Inspection and approval of structures requiring construction permits	14
4.2.2	Vehicles and containers	15
4.2.3	Alterations to stand structures in non-compliance with regulations	15
4.2.4	Limits of liability	15
4.3	Construction heights	16
4.4	Fire protection and safety regulations	16
→ 4.4.1	Fire protection regulations	16
→ 4.4.1.1	Stand construction and decorative materials	21
→ 4.4.1.2	Exhibiting motor vehicles	21
4.4.1.3	Explosive materials	22
4.4.1.4	Pyrotechnics	22
4.4.1.5	Balloons	22
4.4.1.6	Flying objects	22
→ 4.4.1.7	Fog machines, hazers, Sparkulars and laser systems	22
4.4.1.8	Containers for trash, recyclable materials and residual waste	23
4.4.1.9	Spray guns, nitrocellulose lacquers, cleaning agents, solvents	23
4.4.1.10	Work that poses a fire hazard	23
4.4.1.11	Empty packagings, storage of materials	23
4.4.1.12	Fire extinguishers	24
4.4.1.13	Water features, pools	24

4.4.2	Stand ceilings	24
4.4.3	Glass and acrylic glass	24
4.4.4	“Trapped rooms”, occupied rooms	25
4.5	Exits, escape routes, doors	25
4.5.1	Exits, escape routes	25
4.5.2	Doors	25
4.6	Platforms, ladders, stairs, landings	25
4.7	Stand design	26
4.7.1	Stand appearance, stand numbering	26
4.7.2	Verification and return of rented areas	27
4.7.3	Interventions in the structure and equipment of buildings	27
4.7.4	Exhibition hall floors	27
4.7.5	Suspension points, chain hoists, installation of trusses, fasteners	28
4.7.5.1	Electric chain hoists	28
4.7.5.2	Manual chain hoists, installation of trusses	28
4.7.5.3	Fasteners	29
4.7.6	Stand boundary partitions	29
4.7.7	Cool light illumination concepts	29
4.7.8	Exhibits, performances, presentations, advertising media	29
4.7.9	Barrier-free construction	30
4.7.10	Foundations, pits	30
4.8	Outdoor exhibition areas	31
4.8.1	Stand construction permits, stand structures requiring approval	31
4.8.2	Ground anchors, excavations	32
4.8.3	Weather related loads	32
4.8.3.1	Wind loads	32
4.8.4	Severe weather warnings	32
4.9	Two-storey structures	32
4.9.1	Requests for approval	32
4.9.2	Restrictions applying to stand superstructures, safety clearances, height of interior rooms	33
4.9.3	Live loads, design loads	33
4.9.4	Escape routes, stairways	34
4.9.5	Building materials	34
→ 4.9.6	Top floors	34
→ 4.10	Misuse / Violation and liability	35
5.	Operational safety, technical safety provisions, technical regulations, technical utilities	35
5.1	General regulations	35
5.1.1	Damage	35
→ 5.1.2	Coordination of work on the exhibition grounds	35
5.2	Employment of tools and other equipment	35
5.3	Electrical installations	36
5.3.1	Electrical outlets	36
5.3.2	Stand electrical installations	36
5.3.3	Installation and operating regulations	36
5.3.4	Safety precautions	36
5.3.5	Emergency lighting	36
5.3.6	Equipotential bonding (stand earthing) for metal constructions	36
5.4	Water and drain installations	37
5.5	Compressed air, gas installations	37
5.5.1	Compressed air installations	37
5.5.2	Gas installations	37
5.6	Machinery, pressure vessels, exhaust systems	37
5.6.1	Noise generated by machinery	37
5.6.2	Equipment and product safety	38

5.6.2.1	Safety equipment	38
5.6.2.2	Inspection procedures	38
5.6.2.3	Prohibition of operation	38
5.6.2.4	Additional protective measures	39
5.6.3	Pressure vessels	39
5.6.3.1	Certificate of inspection	39
5.6.3.2	Inspection test	39
5.6.3.3	Rental equipment	39
5.6.3.4	Inspections by regulatory agencies	39
5.6.4	Exhaust gases and vapours	40
5.6.5	Exhaust systems	40
5.7	Employment of compressed gases, liquid gases, combustible liquids and hazardous materials	40
5.7.1	Pressurised gas and liquid gas systems	40
5.7.1.1	Applications for approval of compressed gas cylinders	40
5.7.1.2	Employment of liquid gases for firing purposes	40
5.7.1.3	Installation and maintenance of liquid gas systems	41
5.7.2	Combustible liquids	41
5.7.2.1	Storage and use	41
5.7.2.2	Storage of operating supplies	41
5.7.2.3	Storage vessels	41
5.7.2.4	Storage locations	41
5.7.2.5	Operation requirements	41
5.7.2.6	Filling systems with combustible liquids	41
5.7.2.7	Empty containers	42
5.7.3	Combustible pastes and other fuels	42
5.7.4	Hazardous materials	42
5.8	Asbestos	42
5.9	Movie, slide and television screenings, stages, platforms and other presentations	42
5.10	Radiation protection	42
5.10.1	Radioactive materials	42
5.10.2	X-ray systems and sources of broadcast interference	43
5.10.3	Laser systems	43
→ 5.10.4	LED	43
5.11	High-frequency equipment, radio transmitters, electromagnetic compatibility and harmonics	44
5.12	Cranes, forklifts, empty packaging	44
5.13	Musical reproduction	45
5.14	Beverage dispensing systems	45
5.15	Food inspections	45
5.16	Vehicle and driving demonstrations	46
6.	Environmental protection	46
6.1	Waste	46
6.1.1	Waste disposal	46
6.1.2	Waste requiring special supervision	47
6.1.3	Waste brought onto the exhibition grounds	47
6.2	Water, wastewater, soil protection	47
6.2.1	Oil, grease traps	47
6.2.2	Stand cleaning, cleaning agents	47
6.3	Environmental pollution	47
6.3.1	Packaging materials	48
6.3.2	Kitchen waste	48
6.3.3	Manufacturing waste	48
6.3.4	Stand components	48
7.	General remarks	48
7.1	Liability	48

1. Preliminary remarks

The aim of these Technical Regulations is to ensure that the event proceeds smoothly, to enable exhibitors to present their exhibits to best advantage and thus to attract visitors and interested parties appropriately. These regulations are binding upon all exhibitors. Each exhibitor acknowledges the validity of these regulations on submitting the legally binding application. In the following DECHEMA Ausstellungs-GmbH will be referred to as DECHEMA, Messe Frankfurt Venue GmbH as Messe Frankfurt.

These regulations also incorporate safety regulations that are intended to provide a high degree of safety in relation to technical and stand equipment in the interest of protecting our exhibitors and visitors. The building provisions, fire protection regulations and other safety regulations involved have been coordinated with the responsible agencies of the City of Frankfurt am Main. DECHEMA and, if applicable, Messe Frankfurt reserve the right to verify compliance with these regulations. Furthermore, the applicable legal regulations, as amended from time to time, shall be observed at all times.

Insofar as the term “stand construction” is used in its conventional sense in the Technical Regulations, it does not refer to a physical structure in the sense of the German Federal Building Code (BauGB). In legal terms, trade fair stand constructions are considered to be “facilities” in the venue.

In the interest of all participants, the opening of an exhibition stand can be prohibited if previously found defects have not been remedied by the start of the event. DECHEMA retains the right to issue further safety regulations and stand construction standards, should the need arise. DECHEMA also reserves the right to permit exceptions to these regulations in individual cases.

These Technical Regulations are to be transmitted to all the exhibitors’ contractors. Services (tickets, advertising opportunities, entries in the media and technical services) can be ordered online in good time before the event starts. The online user ID will be sent to exhibitors together with the stand confirmation. The Exhibitor Portal will provide exhibitors with the stand plan, technical details of the hall as well as further information on the preparation and organisation of the event.

Building legislation is issued by the governments of the respective German states.

The respective event regulations may therefore differ from exhibition site to exhibition site due to differing local building codes and differing construction conditions at the various exhibition sites.

Messe Frankfurt, on whose premises ACHEMA takes place, and DECHEMA reserve the right to modify these Technical Regulations and other regulations at any time.

DECHEMA has made additional changes that are specific to ACHEMA.

The German version alone shall be binding.

1.1 House Rules

These House Rules apply to all the premises of Messe Frankfurt including all buildings, the multi-storey car park, and all outdoor premises used by Messe Frankfurt in the Rebstock area (hereinafter: “Exhibition Centre”). Messe Frankfurt and DECHEMA are the holder of domiciliary rights. Supplementary agreements made with exhibitors, service companies, etc., are not affected by these regulations.

1. The Exhibition Centre may only be accessed, whether on foot or in a vehicle, by holders of the relevant valid access passes (staff IDs, service contractors IDs, event-specific admission tickets, setup and dismantling passes), at certain defined times and in the specified parts of buildings and premises. Messe Frankfurt and DECHEMA reserve the right to conduct checks of access passes on any individuals found on its premises, irrespective of possible suspicions.
2. Anyone staying on Messe Frankfurt premises is subject to the provisions of the German Highway Code (Straßenverkehrsordnung – StVO). The relevant signs regulating vehicle and pedestrian traffic must be observed throughout the Exhibition Centre. Vehicles are subject to a 30 km/h speed limit. E-scooters, e-boards and other

similar vehicles may not be used in buildings or in outdoor event areas during events.

3. DECHEMA or Messe Frankfurt may check the storage space of vehicles as well as containers and bags carried by individuals; they may do so at any time and irrespective of possible suspicions. Should a person refuse to be checked, then Messe Frankfurt or DECHEMA reserve the right to ban this person from the Exhibition Centre. DECHEMA is entitled to issue restrictive regulations governing the admission of visitors and to prohibit visitors from bringing animals or objects with them or to make this generally or individually dependent on certain requirements being met. Children and young persons up to the age of 14 may only enter the Exhibition Centre if they are accompanied by a parent or guardian or by a suitable individual acting as a supervisor.
4. DECHEMA or Messe Frankfurt accept absolutely no liability of any kind for damage or injury caused to people, property or valuables on the grounds or the Exhibition Centre.
5. Outside the exhibition stands it is prohibited to advertise in any way, to offer goods or services of any kind, to take orders or to conduct opinion polls without the express authorisation of DECHEMA.
6. Third parties are prohibited from carrying out any commercial activities at the Exhibition Centre except on behalf of DECHEMA or the lessees, service companies or other contracting parties with which Messe Frankfurt has a contractual relationship. DECHEMA reserves the right to regulate the activities of third parties on behalf of contracting parties and to lay down the type, scope and conditions of these activities.
7. No permission is given for handing out (whether directly or via order books), accepting or taking out exhibited goods during ACHEMA. If goods, items are handed out as free samples, then this must be documented by the exhibitor through a suitable declaration of transfer (receipt). Third parties must request a receipt from the exhibitor and must produce the same upon demand. If a third party is found to be without a receipt, then DECHEMA and Messe Frankfurt reserve the right to confiscate the item without compensation and to ban the relevant person from the Exhibition Centre.
8. The Exhibition Centre operates a general ban on carrying devices suitable for the production of photos or film footage. Film footage, photographs and sketches of exhibited goods or exhibits on the premises and within the halls is only permitted in special, exceptional cases and only with written permission of DECHEMA. If DECHEMA has grounds for suspicion, it may confiscate and destroy any sketches that have been made and any film footage that has been produced, without providing compensation. This also applies if such confiscation and destruction impacts other images. If an exhibitor would like to record the set-up/construction of his stand, he needs a film and photo permit. However, the exhibitor is solely liable for complying with the laws pertaining to the subsequent use of such recordings. This also means that, if individuals or third-party stands or trademarks (including DECHEMA or Messe Frankfurt) are recorded, it is the exhibitor's responsibility to obtain the corresponding authorisation of these individuals/third parties for the utilisation of the recording.
9. We hereby wish to point out that, for security reasons, the Exhibition Centre is monitored by CCTV cameras.
10. Instructions given by the security staff and stewards must be followed at all times.
11. If House Rules have been violated, if access passes have been abused or forged or if any other disruptive behaviour has occurred, DECHEMA and Messe Frankfurt reserve the right to ban the relevant persons from the premises and buildings either permanently or temporarily, to confiscate their access passes without compensation and to have their vehicles towed away at the expense and risk of the driver/holder of the vehicle.
12. There is a general smoking ban in all buildings and enclosed rooms within the exhibition grounds.
13. DECHEMA reserves the right to modify or supplement these House Rules at any time, there is no legal recourse under German law.
14. A limited road and walkway clearance service is provided during the winter months. This applies for both the restricted and the publicly accessible areas of the Messe Frankfurt.

DECHEMA Ausstellungs-GmbH

October 2022

1.2 Opening hours

1.2.1 Set-up and dismantling periods

Although logistics have been constantly optimised, in some cases considerable delays can be expected, particularly on the last set-up days and the first dismantling days. Due to authority guidelines the exhibition grounds have to be temporarily closed if the traffic and logistics area is overloaded. We will make every endeavour to ensure that traffic routing and logistics are as efficient as possible.

Detailed information on set-up and dismantling as well as traffic organisation can be found in the “traffic regulations” and in the “check-in guide”, which will be provided in advance at www.achema.de.

You are kindly requested to observe the entry regulations and the directions given by the traffic police. Please note that in Germany heavy vehicles over 7.49 metric tons are not permitted on the roads on Sundays (“Sonntagsfahrverbot”). However special permits can be obtained from the road traffic authorities where your headquarters or your subsidiary are located or where the freight is picked up (Straßenverkehrsamt Frankfurt [road traffic authorities], phone: +49 69 212-40582 or e-mail: ausnahmen.stvo@stadt-frankfurt.de).

During set-up and dismantling (with the exception of 14 June 2024), all vehicles must be registered via the check-in (online also possible).

The DECHEMA service team will be available to you in the Service Centre in Hall 4 C during the set-up period from 8 am to 6 pm.

DECHEMA is entitled to make alternative arrangements for stands not occupied **by 2 pm on 9 June 2024** without the exhibitor having the right to claim damages. The exhibitor will be charged to the full extent for any additional work caused by late arrival and unpacking.

Set-up times

If you need to bring exhibits with a weight of more than 7,500 kg or with a height or width of more than 5 meters into the halls whose transport could cause problems during regular set-up times, please contact the Logistics Service of Messe Frankfurt (phone: +49 69 7575-6075, fax: +49 69 7575-96075, e-mail: logistics@messefrankfurt.com) in good time to arrange a delivery date.

Early set-up (application deadline: 29 April 2024)

1 June – 2 June 2024	7 am to 5 pm	Upon application and after approval, depending on the overall logistics planning, this is possible (in all exhibition hall floors) free of charge. Please apply in the Exhibitor Portal at www.achema.de .
-----------------------------	---------------------	---

Regular set-up times

3 June, 7 am – 9 June 2024, 2 pm		24 hours per day
9 June 2024	noon	Access only possible for passenger cars transporting very heavy or bulky goods, to free parking areas on the exhibition grounds. No access for passenger cars only transporting persons or portable material or for heavy vehicles; free parking for passenger cars in the Rebstock multi-storey parking house with a free shuttle bus service directly to the exhibition halls between 8 am and 10 pm. For heavy vehicles, designated parking lots will be available on the Rebstock parking area.

9 June 2024**2 pm**

All packing materials must be removed, the aisles must be unobstructed. Vehicles not parked on the parking levels must have left the exhibition grounds by this time, otherwise they will be towed away at the owner's expense. The exhibition premises will be cleaned and carpeting laid in the aisles.

It will be possible to add the finishing touches to stands up to 10 pm.

Dismantling times

Passenger cars that are parked in the parking lots of the exhibition grounds cannot leave these on 14 June 2024 without being forced to leave the exhibition grounds. Parking in front of the exhibition halls requires a "Special Dismantling Vehicle Pass" (deposit required). A free shuttle bus service will operate from the Rebstock parking areas to the exhibition grounds until 2 am on 15 June 2024.

Please note that, due to the removal of the carpeting in the aisles, **the freight lifts in the halls and the gates to the ground-floor levels will not be open until approx. 6.30 pm.** For safety reasons the walkway in the Via Mobile will be shut down after the exhibition has ended and elevators will be secured against overload by inserting bars so that larger cartons and trolleys can no longer be brought into the lift.

Entry to the exhibition grounds for vehicles over 7.49 metric tons maximum gross weight will not start until Saturday, 15 June 2024 at 8 am.

Empties (with exception of priority empties) will be available from Saturday, 15 June 2024, 8 am, at the earliest.

Considering the safety regulations delivery to the stands will be carried out to a large extent during the ACHEMA "empties night" from 2 am to 8 am on 15 June 2024.

ACHEMA has a high volume of empties. Therefore, please contact the Logistics Service of Messe Frankfurt in good time to clarify the delivery date to your booth (phone: +49 69 7575-6075, e-mail: logistics@messefrankfurt.com). Detailed information can be found in the traffic regulations of ACHEMA 2024, which will be provided at www.achema.de/technicalregulations at a later time.

We recommend to order stand security for this night in good time.

Priority empties are not subject to extra costs. Stands that do not require forklifts or heavy vehicles of 7.5 t or more can have their empties delivered on Friday evening and leave the exhibition grounds until 2 am, providing that this service was ordered in advance. Advance orders are necessary since only a limited amount of empty packaging can be delivered, max 15 m³ per stand. Orders will be processed on a first come, first served basis. The empty packaging will be brought to the stand automatically on 14 June 2024 between 5.30 pm and 10 pm according to logistic aspects, it will not be necessary to make a separate request for delivery.

Logistics Service of Messe Frankfurt:

Phone: +49 69 7575-6075, fax: +49 69 7575-96075, e-mail: logistics@messefrankfurt.com.

Exhibition halls are neither heated or air-conditioned prior to the official commencement of set-up periods or following the official termination of dismantling periods.

Forklifts will not be available until 8 am on 15 June 2024 and only if they were ordered well in advance.

14 June 2024**noon**

Entry to the exhibition grounds is no longer possible.

4 pm

End of the event. Dismantling within the stand area may start now at the earliest.

	4 pm	<p>“Special Dismantling Vehicle Pass” (deposit required) only for passenger cars and vehicles up to 3.5 t. How and where to get the vehicle pass will be announced in due time.</p>
	approx. 6.30 pm	<p>Entry starts for vehicles up to 7.49 metric tons maximum gross weight from the assembly point for dismantling vehicles on the Rebstock parking area. Entry to the exhibition grounds begins exclusively from this location!</p> <p>No check-in this evening.</p>
15 June 2024	2 am	<p>All vehicles must have left the exhibition grounds. Vehicles still on the exhibition grounds outside parking areas P4, P9 and P12 will be towed away at the owner’s expense. Empty packaging materials will now be delivered to the stands. It will no longer be possible to drive onto the exhibition grounds. Only passenger cars have access to the parking areas P4 via Tor Nord (North Gate) and P9 via Tor 9 (Gate 9). No parking in front of the halls!</p>
	8 am	<p>The premises are opened for vehicle traffic. As during set-up, all vehicles (heavy vehicles, transporters, passenger cars) report to the check-in on the Rebstock parking area.</p> <p>Only vehicles registered at the check-in will receive access to the exhibition grounds, always depending on the current situation of the premises. Please be aware of the fact sheet to the check-in procedure, which will be provided on our website in advance.</p> <p>The logistically important loading and unloading areas in direct proximity to the halls are solely reserved for trailer trucks. Separate loading zones for vehicles smaller than 7.5 metric tons maximum gross weight and transporters will be available on the exhibition grounds. Passenger cars are solely to be parked in the parking lots of hall 4, 9 and 12 during the complete dismantling period. Forklifts need to be ordered well in advance.</p> <p>Dismantling is possible continuously until 6 pm on Tuesday, 18 June 2024.</p>
18 June 2024	6 pm	<p>Dismantling ends – in exceptional cases, an application for extended dismantling until noon on Wednesday, 19 June 2024, at the latest can be made to DECHEMA by 13 June 2024. The charge is € 100.00 per stand and hour. Applications not submitted in time will be subject to a surcharge of 100%.</p>

1.2.2 Opening hours during the event

Monday, 10 June - Friday, 14 June 2024

9 am to 6 pm for visitors, Friday, 14 June 2024 until 4 pm

8 am to 7 pm for exhibitors, on 14 June 2024, see item 1.2.1

Exhibitors' vehicles may solely deliver consumer goods to the stands daily from 8 am to 7 pm; on Friday, 14 June 2024, only in the time from 8 am to noon. For this every driver can enter the exhibition grounds for one hour after having paid a deposit of € 100.00 which is not reimbursable once the time limit has been expired. In justified cases exhibitors, who have to remain working on the stand beyond the time limit, require special written permission from DECHEMA.

Parking spaces, subject to charge, are available for passenger **vehicles up to 2.5 metric tons maximum gross weight** as well as car trailers. Please book early online at www.achema.de.

Transporters and heavy vehicles can be parked, subject to charge, on Messe Frankfurt's heavy vehicles parking area Rebstock.

A limited number of **container areas** on the exhibition grounds can be rented online at www.achema.de. All storage vessels (containers, heavy vehicle couplings, trailers) left on areas not rented from us will be towed away at the owners' or operators' expense and risk.

During this period a shuttle bus service will operate between the Rebstock parking area and the exhibition grounds. Details can be found in the traffic regulations, which will be available in the spring of 2024.

During the event halls open one hour prior to the beginning of the exhibition and close one hour after the end, for 14 June 2024, see item 1.2.1. In justified individual cases exhibitors may remain on their stand beyond this time period. This requires a written permit from DECHEMA.

2. Traffic on the exhibition grounds, rescue routes, safety equipment

2.1 Traffic regulations, parking permits

In order to ensure a smooth flow of traffic during set-up and dismantling periods and during the event, traffic-regulating and directing rules, such as those described in the traffic regulations, shall be observed at all times.

The exhibition grounds are the private property of Messe Frankfurt.

The provisions of the German Road Traffic Ordinance ("Straßenverkehrsordnung"[StVO]) apply throughout the exhibition grounds and on Messe Frankfurt's parking facilities.

The speed limit on the exhibition grounds is 30 km/h.

Where traffic conditions demand, vehicles must not exceed walking speed. Vehicles' engines shall be shut off during loading/ unloading. Vehicles must not enter the exhibition halls. House trailers/campers may not be used on the exhibition grounds.

Illegally parked vehicles, trailers, containers, and goods of any kind may be removed by authorised towing companies working under contract to Messe Frankfurt at their owners' or operators' expense and risk.

The instructions of personnel assigned to direct and supervise traffic and the associated information shall be followed at all times. Driving any type of vehicle on the exhibition grounds requires a permit from DECHEMA, is at drivers' own risk, and is prohibited at all times during the event.

There is a limited number of car parking spaces available for exhibitors on the exhibition grounds. In accordance with the number of spaces available, parking permits can only be ordered for the entire duration of the event online at www.achema.de.

2.2 Rescue routes

2.2.1 Fire department manoeuvring areas, fire hydrants

The necessary fire department entry routes and manoeuvring areas designated by “no parking” signs must be kept clear at all times. Vehicles or objects parked / deposited on rescue routes or on safety areas shall be removed at their owners’ expense and risk.

Fire hydrants in the exhibition halls and on outdoor exhibition areas shall not be obstructed or rendered unrecognisable or inaccessible.

2.2.2 Emergency exits, emergency escape hatches, exhibition hall aisles

Escape and rescue routes shall be kept clear at all times. Doorways along escape and rescue routes shall be capable of being readily opened over their full widths from within.

Escape and rescue routes, exit doors and emergency exits in the hall floors and their identifying signs or markings shall not be obstructed, obscured, have anything built over them, be blocked, have anything hung on them, or otherwise be rendered unrecognisable.

Aisles and walkways in exhibition halls shall not be constricted by objects deposited therein or extending into them at any time. In the event that these rules are not complied with, Messe Frankfurt and DECHEMA shall be entitled to remedy the situation at the expense and risk of the responsible party.

Materials required for constructing stands or exhibits delivered for immediate installation at the stand area may be deposited during the set-up and dismantling phases for a short period of time in the hall aisle as long as the required aisle widths are maintained for safety reasons and logistical concerns are sufficiently taken into consideration.

This will be considered to be fulfilled if a strip of no more than 0.9 m in width between the stand border and the hall aisle is used to deposit items. Regardless of the width of the hall aisle and the items deposited there, it is mandatory to maintain an unblocked passageway of no less than 1.2 m in width. Areas in front of emergency exits and areas where hall aisles intersect are the exception; their entire width must always be kept clear. Hall aisles may not be used for assembly or to set up machines (e.g. woodworking equipment, workbenches).

DECHEMA or Messe Frankfurt may request the immediate clearing of the hall aisles, also for logistical reasons. Any expenses incurred will be billed to those who caused them.

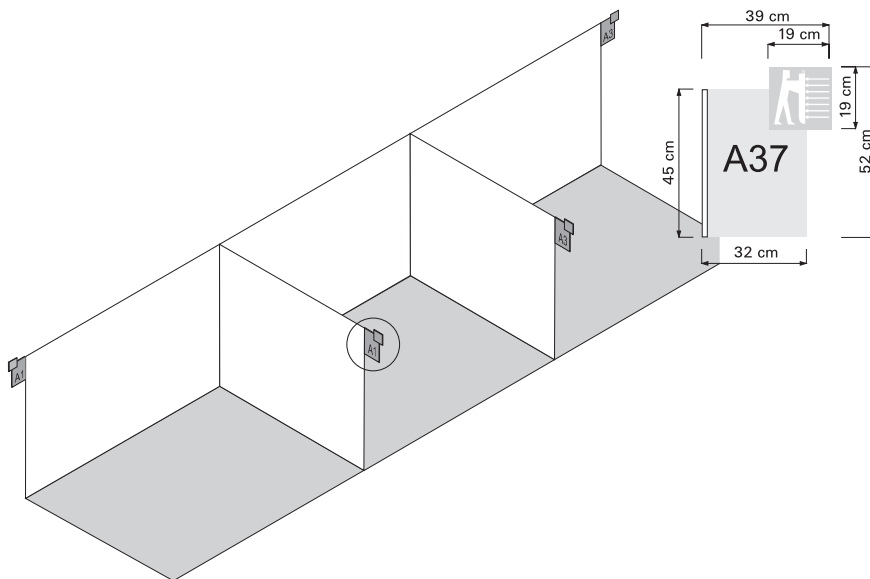
2.3 Safety equipment

Sprinkler systems, fire alarms, fire extinguishers, smoke detectors, mechanisms for closing exhibition hall doors and other items of safety equipment, their signs or markings, and green emergency exit signs shall remain visible and accessible at all times, and shall not be obstructed or enclosed.

2.4 Stand numbering

For orientation purposes and in order to ensure a unifying ACHEMA image in the halls, stand numbers will be affixed to stands by the organiser during the last night before the event begins insofar as the stand construction permits this.

These stand numbers may only be removed on approval by DECHEMA and with the written consent of the neighbouring exhibitor(s) affected. No numbered stand signs will be provided in the outdoor exhibition area.



2.5 Guard services

DECHEMA and Messe Frankfurt's external service partners monitor the exhibition halls and outside areas during set-up and dismantling phases, as well as during the event. However, DECHEMA and Messe Frankfurt accept no responsibility for property and objects brought or delivered by exhibitors and third parties. Exhibitors are expressly informed that exhibited materials and other objects brought by the exhibitors are subject to greater risk during set-up and dismantling periods. Valuable and easily moveable objects should always be locked away at night.

Security for the stand and items on the stand must be arranged by the exhibitor where necessary. As a general rule, stand guards may only be posted between 6 pm and 8 am by Messe Frankfurt's contractual service partner(s). Exhibitors may order stand guards no later than six weeks before the start of the event at www.achema.de. DECHEMA or Messe Frankfurt service personnel is not authorised to assume responsibility for monitoring for third-party property. Exhibitors' own stand security staff who are to remain on duty in exhibition halls between 6 pm and 8 am require special permits for which a fee is charged. Exhibitors have no legal rights to demand issuance of such permits. Exhibitors' own stand security staff who are present in exhibition halls prior to, during and after events shall also observe the following regulations:

Guards shall sign in at the hall inspector's office prior to going on duty. Their presence on-site shall be confirmed by entering their name, the name of the exhibitor, the stand number, the number of their personal identification card or passport, and the date and time of their arrival on a list provided and maintained for that purpose by the hall inspector's office. Upon concluding their period of duty, and before leaving the exhibition hall, stand security staff shall sign out at the hall inspector's office and note the termination of their period of duty on the aforementioned list. Stand security staff shall remain on the stand for which they have a guarding order, and shall enter and leave the stand by the shortest route passing by the hall inspector's office. In the event that they fail to observe these restrictions, DECHEMA and Messe Frankfurt shall assume that the presence of that person on the stand or in the exhibition hall is unauthorised and reserve the right to initiate special measures, to expel that person from the exhibition grounds, and/or to file other claims/damages.

Bringing guard dogs onto the exhibition grounds requires a permit issued by DECHEMA or Messe Frankfurt that may be revoked by same at any time. Dogs shall be kept on a leash at all times.

Weapons may not be brought onto the exhibition grounds, not even for guarding purposes.

2.6 Evacuation in an emergency

For safety reasons, DECHEMA or Messe Frankfurt may order the closure of building and/or rooms or outdoor areas and, if necessary, their evacuations.

3. Technical data and equipment of the exhibition halls and outdoor exhibition areas

3.1 Technical data of the exhibition halls

Since the technical data of the various exhibition halls differ, they have been listed in a separate document. After receipt of the stand confirmation the stand plan and the technical data sheet can be downloaded in the Exhibitor Portal at www.achema.de.

3.1.1 General lighting, types of electrical supplies, supply voltages

The general lighting in the exhibition halls differs from hall to hall, and ranges from around 300 to 400 lux, measured one metre above floor level.

The electrical supplies and supply voltages available on the exhibition grounds are as follows:

Network type TN-C-S

Supply voltage 230 V / 400 V

Tolerances as per DIN EN 50160

3.1.2 Compressed air, electrical and water supplies

The compressed air, electrical and water supplies on stands located in exhibition halls are routed through existing installation channels to connection points in hall floors.

On exhibition hall floors having supporting columns, electrical supplies are also available at terminal boxes mounted on their supporting columns.

3.1.3 Communication facilities

Stands located in exhibition halls are supplied with telephone, fax, data and antenna connections via existing installation channels and connection points in hall floors.

On exhibition hall floors having supporting columns, connection points are also available at terminal boxes mounted on their supporting columns.

Guidelines for the operation of exhibitors' own WiFi networks at Messe Frankfurt: Exhibitors' own WiFi transmitters may only transmit in the 2.4 GHz band in accordance with currently applicable standards (802.11 b/g/n); transmission in the 5 GHz band is prohibited! The 5 GHz band is reserved exclusively for Messe Frankfurt in order to allow for the provision of exhibitor-specific solutions. As a result, WiFi transmitters may only transmit on channels 1, 6 or 11, and cannot be configured for automatic channel search. Channel bonding is not permitted, and the maximum channel bandwidth is 20 MHz. The maximum transmission power of the exhibitor's transmitter may not exceed -80 dBm at the edge of the stand. The SSID, i.e. your access point ID, must begin with your stand number (e.g. H4.0 B42). All of the aforementioned settings can be made using the access point configuration menu. Any transmitters other than WiFi transmitters are prohibited, as they can cause massive disruption to signals. In the event that exhibits require different transmitters, please contact DEHEMA in advance. Naturally the aforementioned rules and regulations are also applicable for WiFi transmitters in exhibits. The operation of WiFi networks that cause interference or disruption is prohibited. DEHEMA and/or Messe Frankfurt reserve the right to shut down these networks.

Forms for registration of your own access point are available at www.achema.de. Exhibitors' own WiFi transmitters must be registered in good time before start of the fair in order to ensure that these rules are complied with by all exhibitors.

3.1.4 Sprinkler systems

Exhibition halls are equipped with sprinkler systems.

Exhibits and decorations must be situated at least 1.00 m from sprinkler heads. Distances between lamps/spotlights and sprinkler heads should be chosen so as to preclude false triggerings of fire extinguishing devices through the heat generated by the lighting.

3.1.5 Heating, ventilation

All halls are equipped with heating, ventilation and different types of air-conditioning systems. These systems will be operational as required throughout the event.

3.1.6 Outages

DECHEMA should be notified immediately in the event of any outages of utilities, such as electricity, water, compressed air, heating, ventilation or telecommunication systems, etc.
DECHEMA and Messe Frankfurt assume no liability for any losses or damage due to such outages.

3.1.7 Stand air-conditioning

It is possible to provide air-conditioning for stand areas individually. Please send your enquiry to technicalservices@dechema.de.
It is not permitted to use drinking water to flow-cool stands.

3.2 Outdoor exhibition areas

Please note that, in some parts, the ground in the outdoor exhibition area has a steep declivity, thus it cannot be assumed that it is level or even. Outdoor exhibition areas are paved with asphalt or stones. The grounds have general road and walkway lighting systems that will be activated at the onset of darkness during event opening hours. Necessary utilities connections are spaced at irregular intervals. Please also be sure to note item 4.8 "Outdoor areas" when conducting your planning.

3.3 Designation of clear gate heights

Gates having clear heights less than 4.00 m are designated by signs.

4. Stand construction regulations

4.1 Stand safety

Exhibition stands, including their furnishings, exhibits and advertising media must be structurally stable to ensure that there is no threat to public safety and order, and in particular that there is no danger to life and health.

Exhibitors are responsible for the structural safety of their stands, and may be required to submit proof of same. Standing constructional elements or special constructions (e.g. free-standing walls, high exhibits, high decorative elements) which might tip over must be designed to withstand the following equivalent distributed lateral loads q_n :

$q_{h_1} = 0.125 \text{ kN/m}^2$ up to 4 m in height measured from the top of the floor

$q_{h_2} = 0.063 \text{ kN/m}^2$ for all areas more than 4 m high measured from the top of the floor

The reference area is the respective surface area.

Verifiable/verified proof of compliance must be provided in advance by request of Messe Frankfurt (see item 4.2.1).

Deviations are possible in substantiated individual cases as long as proper evidence is provided.

Bracing stands against neighbouring stands or existing building structures is prohibited.

Stand structures in the outdoor exhibition area should be appropriately designed to withstand wind loads in accordance with the current building regulations.

In doubt, DECHEMA and Messe Frankfurt reserve the right to conduct a chargeable verification of stand stability on site. This will also apply, if the stand structure has already been approved.

4.2 Stand construction permits

Single-storey stands in the exhibition halls shall be exempted from submitting stand plan documentation, provided that the Technical Regulations have been observed in designing and building them, as far as

- they have a surface area no larger than 100 m²
- their building height is not more than 4.00 m
- no special constructions are included (e.g. closed ceilings, stand structures and exhibits higher than 4.00 m, platforms higher than 0.20 m, glass constructions, floor/ceiling connections, advertising media, moved components etc.)

On request DECHEMA would be pleased to check exhibitors' submitted stand construction plans.

A permit and an on-site approval is required for all other stand constructions, mobile stands, constructions in the outdoor area, temporary structures, two-storey stands and special constructions. The permit is subject to a charge, see item 4.2.1.

When ordering ceiling suspensions, electrical, water, compressed air and gas connections, please do not fail to submit floor plans with exact dimensions and positions for the fitters. If a stand has to be reorganised, please remember to submit the revised connection plans along with the other documents for approval so that the service companies can be informed in good time. For suspensions from the hall ceilings we require a detailed plan of the suspension giving the corresponding distribution of weight.

4.2.1 Inspection and approval of structures requiring construction permits

Dimensioned stand plans drawn to a suitable scale (e.g. 1:100) in electronic form (pdf) complete with floor plans and top/side/perspective views, with German or English labelling shall be uploaded in the Exhibitor Portal at www.achema.de no later than **10 April 2024**.

If approved, the said stand drawings shall be given a stamp of approval and will be returned to the exhibitor (if requested in addition to the stand builder) by e-mail. Stand construction may commence only once approval has been granted.

The approved stand drawings can also be viewed in the Exhibitor Portal.

Requests for approval of:

- stands with a surface area larger than 100 m²
- two-storey structures *a)
- screening or spectator rooms
- stages/platforms
- outdoor structures *a)
- temporary structures *a)
- special constructions e.g. closed ceilings, stand structures and exhibits that are more than 4 metres in height, *a) platforms and stages higher than 0.20 m, glass constructions, moving components, floor/ceiling connections, advertising media, etc.

shall be accompanied by the following items of German or English language documentation and submitted no later than **10 April 2024**:

- *a) Static calculations complying with German building standards which are checkable or have been checked by a second independent structural engineer. In the event that static calculations examined by a second, independent structural engineer are not submitted, a firm of engineering consultants commissioned by DECHEMA or Messe Frankfurt will check the structural calculations. The exhibitor will be charged for all costs involved.
- b) building description specifying materials used (including certificates where applicable)
- c) stand drawings (floor plans, side/top/perspective views, sectioned drawings) drawn to a suitable scale, e.g. 1:100 plus ceiling schematic including dimensions of the enclosed ceiling area(s)
- d) escape route plan including lengths and widths of emergency escape route(s)
- e) Submission of a type certification/certification book renders item a) superfluous.

These documents can also be uploaded in the Exhibitor Portal.

The structural engineer will contact the stand construction manager at a specified time/after consultation in order to provide assistance and inspect the structural characteristics and approve the stand construction.

The costs of the approval process (inspection of the submitted documents and on-site approval) will be invoiced to the exhibitor/stand constructor. The lack of static causes extra costs for the exhibitor/stand constructor.

In the case of two-storey constructions and moving components (revolving stages, escalators) and of stands in the outdoor area DEHEMA shall check that they are in keeping with the design directives of ACHEMA. Thereafter these plans will be forwarded to Messe Frankfurt who shall check the stands according to safety and static criteria and shall then send them on to the exhibitor/stand constructor with a letter of approval.

The following costs will occur:

Costs will be charged for **every** inspected component according to the price list at the fact sheet "Inspection of constructions requiring approval / costs", that means if there will be different components to inspect at one booth, **every component will be charged separately.**

- In the event that static calculations examined by a second, independent structural engineer were submitted, a fee for the inspection on-site.
- If there is no certified static analysis at hand or a certified static is not feasible, costs arise for the verification of the static calculations as well as for the inspection on-site.
- If there is no static at all, costs arise for the static calculations as well as an omission surcharge of 30% of this sum and for the inspection on-site.
- Possible costs could arise for ordered fire protection measures and maybe for the rental of the upper floor area of two-storey exhibition stands.

4.2.2 Vehicles and containers

Vehicles and containers which are to be employed as exhibition stands in exhibition halls or outdoor areas require approval.

4.2.3 Alterations to stand structures in non-compliance with regulations

Stand structures that fail to comply with these Technical Regulations or the state of the art shall be altered or removed from the premises.

In the event that said alterations or removal shall not have been concluded by the appointed time, DEHEMA shall be entitled to make the required alterations at the exhibitor's expense. If the exhibitor prevents DEHEMA from exercising this right the stand may be closed, if necessary dismantled at the expense and risk of the exhibitor and the exhibitor excluded from participation in ACHEMA. Claims for damages of any kind are excluded in every case.

Even after plans have been approved DEHEMA may require changes to the design of stand structures and/or the arrangement of exhibits. If the exhibitor does not comply with this request by the given date, these changes shall be implemented by DEHEMA. This applies in particular to requirements resulting from possible inspection and approval of the fair by the building inspection and fire prevention authorities and where safety has been found to be inadequate. Any costs incurred shall be borne by the exhibitor.

4.2.4 Limits of liability

DEHEMA and Messe Frankfurt shall not be held liable for theft or deterioration of, or damage to, drawings, models, or other items of documentation submitted, regardless of any legal grounds that might apply. In the event that the exhibitor or his subcontractor fails to comply with the stand construction regulations, the exhibitor shall assume full liability for any damage arising as a consequence of his violation of these stand construction regulations.

Furthermore, the exhibitor shall indemnify DEHEMA and Messe Frankfurt from any third-party claims asserted with respect to the violation of the aforementioned stand construction regulations.

4.3 Construction heights

Subject to the clear height of the individual hall levels and to any negative impact on the neighbouring stands, the maximum stand construction height in the exhibition halls is 8.00 m. **Stands with a size of up to 30 m² are allowed a maximum stand construction height of 4.00 m.** Differing construction restrictions may apply to certain exhibition halls (see “Technical Data Halls”).

Stands with a construction height exceeding 4.00 m require approval. All dimensions should be verified on the spot.

In the outdoor exhibition area the maximum stand construction height is 10.00 m. Differing construction restrictions may apply (e.g. under Via Mobile).

Advertising media, logos, etc. which are higher than the boundary walls of the exhibitor’s own stand are to be kept at least 1.00 m from the border of the neighbouring stand. As a general principle, rear sides which are higher than 2.50 m and face neighbouring stands must be smooth and white or light grey and free of installation materials above this height. Deviations are only possible with the agreement of neighbouring stands.

The clear height of interior rooms must be at least 2.30 m.

4.4 Fire protection and safety regulations

4.4.1 Fire protection regulations

The use of open fires and flames is prohibited.

Exhibition halls are equipped with fire alarms and/or fire extinguishing systems.

In the event that the operation of said fire protection systems shall be restricted in their function by the stand construction, closed ceilings, smoke or temperature progression, release of gases or activities with fire, exhibitors shall be obliged to undertake additional measures in order to guarantee their unrestricted operation, where same shall be coordinated with Messe Frankfurt, Technical Event Management. Please consult the following Tables 1 and 2 for the necessary measures. Closed ceilings are not permitted in foyers.

Table 1:

Fire protection programme for one-storey exhibition stands with closed GF ceilings and two-storey exhibition stands with open TF ceilings (GF = ground floor, TF = top floor)

Ceiling area	0 - 30 m ²	31 - 100 m ²	101 - 200 m ²	201 - 400 m ²	401 - 1000 m ²
Fire protection measures					
Stand construction materials	flame retardant EN 13501-1 mindest. class C s2 d2	flame retardant EN 13501-1 mindest. class C s2 d2	flame retardant EN 13501-1 mindest. class C s2 d2	flame retardant EN 13501-1 mindest. class C s2 d2	flame retardant EN 13501-1 mindest. class C s2 d2
Ceilings	flame retardant EN 13501-1 mindest. class C s2 do	flame retardant EN 13501-1 mindest. class C s2 do	flame retardant EN 13501-1 mindest. class C s2 do	flame retardant EN 13501-1 mindest. class C s2 do	flame retardant EN 13501-1 mindest. class C s2 do
Stairs	flame retardant EN 13501-1 mindest. class C s2 d2, floor coverings class C fl s1	flame retardant EN 13501-1 mindest. class C s2 d2, floor coverings class C fl s1	flame retardant EN 13501-1 mindest. class C s2 d2, floor coverings class C fl s1	flame retardant EN 13501-1 mindest. class C s2 d2, floor coverings class C fl s1	flame retardant EN 13501-1 mindest. class C s2 d2, floor coverings class C fl s1
Emergency escape route length	GF: max 20 m to aisle TF: max 20 m to aisle	GF: max 20 m to aisle TF: max 20 m to aisle	GF: max 20 m to aisle TF: max 20 m to aisle	GF: max 20 m to aisle TF: max 20 m to aisle	GF: max 20 m to aisle TF: max 20 m to aisle
Exits from exhibition stands or from rooms located on stands (minimum width)	GF: One; 0.9 m TF: One flight of stairs; 0.9 m	GF: One; 0.9 m TF: One flight of stairs; 0.9 m	GF: Two, opposite one another, each min 0.9 m > 200 pers: min. 1.2 m + 0.6 m for each additional 100 pers. TF: Two flights of stairs opposite one another, each min 0.9 m > 200 pers: min 1.2 m + 0.6 m for each additional 100 pers.	GF: Two, opposite one another, each min 0.9 m > 200 pers: min. 1.2 m + 0.6 m for each additional 100 pers. TF: Two flights of stairs opposite one another, each min 0.9 m > 200 pers: min 1.2 m + 0.6 m for each additional 100 pers.	GF: Two, opposite one another, each min 0.9 m > 200 pers: min. 1.2 m + 0.6 m for each additional 100 pers. TF: Two flights of stairs opposite one another, each min 0.9 m > 200 pers: min 1.2 m + 0.6 m for each additional 100 pers.
Emergency escape route signage	Yes	Yes Escape sign lights	Yes Emergency lighting	Yes Emergency lighting	Yes Emergency lighting
Fire extinguishers	GF: Yes, 1 TF: No	GF: Yes, 1 TF: Yes, 1 + 1 per stairs	GF: Yes, 1 TF: Yes, 1 + 1 per stairs	GF: Yes, 2 TF: Yes, 1 + 1 per stairs	GF: Yes, 3 - 5 TF: Yes, 1 + 1 per stairs
Fire alarm system	GF: No TF: No	GF: Yes TF: No	GF: Yes TF: No	GF: Yes TF: No	GF: Yes TF: No
Acoustic/visual alarm	GF: No TF: No	GF: No TF: Yes	GF: No TF: Yes	GF: No TF: Yes	GF: Yes TF: Yes
Wall hydrant "S" at stand	GF: No TF: No	GF: No TF: No	GF: Yes, one TF: No	GF: Yes, two TF: No	GF: Yes, three TF: Yes, three
Smoke removal	GF: No / TF: No	GF: No / TF: No	GF: No / TF: No	GF: Yes / TF: No	GF: Yes / TF: No
Sprinkling	GF: No / TF: No	GF: No / TF: No	GF: No / TF: No	GF: No / TF: No	GF: Yes / TF: No

Please note: If a top storey is not to be used by people, the corresponding requirements for the top storey do not apply.

Table 2:

Fire protection programme for two-storey exhibition stands with closed GF ceilings and closed TF ceilings
(GF = ground floor, TF = top floor)

Ceiling area	0 - 30 m ²	31 - 100 m ²	101 - 200 m ²	201 - 400 m ²	401 - 1000 m ²
Fire protection measures					
Stand construction materials	flame retardant EN 13501-1 mindest. class C s2 d2	flame retardant EN 13501-1 mindest. class C s2 d2	flame retardant EN 13501-1 mindest. class C s2 d2	flame retardant EN 13501-1 mindest. class C s2 d2	flame retardant EN 13501-1 mindest. class C s2 d2
Ceiling	flame retardant EN 13501-1 mindest. class C s2 do	flame retardant EN 13501-1 mindest. class C s2 do	flame retardant EN 13501-1 mindest. class C s2 do	flame retardant EN 13501-1 mindest. class C s2 do	flame retardant EN 13501-1 mindest. class C s2 do
Stairs	flame retardant EN 13501-1 mindest. class C s2 d2, floor coverings class C fl s1	flame retardant EN 13501-1 mindest. class C s2 d2, floor coverings class C fl s1	flame retardant EN 13501-1 mindest. class C s2 d2, floor coverings class C fl s1	flame retardant EN 13501-1 mindest. class C s2 d2, floor coverings class C fl s1	flame retardant EN 13501-1 mindest. class C s2 d2, floor coverings class C fl s1
Emergency escape route length	GF: max 20 m to aisle TF: max 20 m to aisle	GF: max 20 m to aisle TF: max 20 m to aisle	GF: max 20 m to aisle TF: max 20 m to aisle	GF: max 20 m to aisle TF: max 20 m to aisle	GF: max 20 m to aisle TF: max 20 m to aisle
Exits from exhibition stands or from rooms located on stands (minimum width)	GF: One; 0.9 m TF: One flight of stairs; 0.9 m	GF: One; 0.9 m TF: One flight of stairs; 0.9 m	GF: Two, opposite one another, min 0.9 m > 200 pers: min. 1.2 m + 0.6 m for each additional 100 pers. TF: Two flights of stairs opposite one another, each min: 0.9 m > 200 pers: min 1.2 m + 0.6 m for each additional 100 pers.	GF: Two, opposite one another, min 0.9 m > 200 pers: min. 1.2 m + 0.6 m for each additional 100 pers. TF: Two flights of stairs opposite one another, each min: 0.9 m > 200 pers: min 1.2 m + 0.6 m for each additional 100 pers.	GF: Two, opposite one another, min 0.9 m > 200 pers: min. 1.2 m + 0.6 m for each additional 100 pers. TF: Two flights of stairs opposite one another, each min: 0.9 m > 200 pers: min 1.2 m + 0.6 m for each additional 100 pers.
Emergency escape route signage	Yes	Yes Escape sign lights	Yes Emergency lighting	Yes Emergency lighting	Yes Emergency lighting
Fire extinguishers	GF: Yes, 1 TF: Yes, 1 + 1 per stairs	GF: Yes, 1 TF: Yes, 1 + 1 per stairs	GF: Yes, 1 TF: Yes, 1 + 1 per stairs	GF: Yes, 2 TF: Yes, 1 + 1 per stairs	GF: Yes, 3 - 5 TF: Yes, 1 + 1 per stairs
Fire alarm system	GF: No TF: No	GF: Yes TF: Yes	GF: Yes TF: Yes	GF: Yes TF: Yes	GF: Yes TF: Yes
Acoustic/visual alarm	GF: No TF: No	GF: No TF: Yes	GF: No TF: Yes	GF: No TF: Yes	GF: Yes TF: Yes
Wall hydrant "S" at stand	GF: No TF: No	GF: No TF: No	GF: Yes, one TF: Yes, one	GF: Yes, two TF: Yes, two	GF: Yes, three TF: Yes, three
Smoke removal	GF: No / TF: No	GF: No / TF: No	GF: No / TF: No	GF: Yes / TF: Yes	GF: Yes / TF: Yes
Sprinkling	GF: No / TF: No	GF: No / TF: No	GF: No / TF: No	GF: No / TF: No	GF: Yes / TF: Yes

Explanations of Tables 1 and 2**General remarks/area data**

Two-storey construction and the construction of closed ceilings are subject to approval (see also item 4.2 Stand construction permits).

Area data in m² refer in each case to the closed ceiling area per storey; a rating in sections may be necessary.

For exhibition stands with closed ceilings with an area of 1,000 m² or more, an individual fire protection concept must always be prepared and submitted to DECHEMA, who will forward it to Messe Frankfurt for approval.

Closed ceilings

The functioning of the sprinkler system (in the exhibition hall) may not be impeded by covered or multi-storey exhibition stands.

The ceilings of stands shall be regarded as open:

- if no more than 50% per each m² of the ceiling area is covered.
- if sprinkler-compatible, open-mesh fabric having apertures measuring at least 2 x 4 mm or 3 x 3 mm is used (no Smoke Out). Such fabric shall be stretched horizontally and in a single layer only.

Fire prevention measures:

- Ceilings of up to 30 m² per stand, but not totalling more than 50% of their total floor area, are permitted to be closed without any additional measures being required, since this will not impede the functioning of the sprinkler system in the exhibition hall. If several ceiling areas of up to 30 m² in size are fitted, a minimum distance of 3 m must be maintained between two ceiling areas. In order to avoid exceeding the maximum area of 30 m² in the case of several adjoining ceiling areas, minimum spacing of 1.50 m to the boundaries of the stand shall be maintained.
- Closed ceiling areas of up to 100 m² require an automatic fire alarm system.
- Closed ceiling areas exceeding 100 m² additionally require the installation of wall fire hydrants to facilitate immediate fire-fighting measures.
- Closed ceiling areas exceeding 400 m² require a sprinkling system for the area below the closed ceiling. Several closed ceiling areas of up to 400 m² in size may not be directly linked without a sprinkling system. A minimum distance of 5 m (straight line) between ceiling areas must be observed.

Should a larger ceiling area result from not observing the minimum distance, including across multiple stands, the expenses incurred for compensatory measures according to Table 1 or 2 will be billed to those who caused them, including expenses for the affected neighbouring stand.

Ceilings on top storeys should always be open, so that the performance of sprinkler systems is not impeded. If ceilings on top storeys are designed to be closed, the additional requirements as for areas with closed ceilings in one-storey stands shall apply, see also item 4.4.2. Closed ceilings are not permitted in foyers.

Further general explanations:**Stand construction materials, stairs**

All stand construction materials must comply at least with building materials class B1 of DIN 4102 and/or class C s2 d2 in accordance with EN 13501-1. Stricter requirements apply in particular for materials that are used for ceiling structures or overhead: they must not only be flame-retardant, but also must not drip while burning. This corresponds to class C s2 d0 in accordance with EN 13501-1. For floor coverings, class C fl s1 is required. For safety reasons, special requirements may be imposed for loadbearing structural components in individual cases. All stairways must comply with DIN 18065.

Emergency escape routes

The routing and dimensioning of emergency escape routes are governed by the requirements of H-VStättR (Hessian guidelines on public meeting places). Distances within exhibition stands shall be measured according to walking distance.

Emergency escape route signage

Escape routes, emergency exits, emergency escape hatches and doors along emergency escape routes must be

identified in accordance with the provisions of ASR A1.3 “Health and Safety Signage”. If exhibition stands are enclosed or if they are darkened and the general emergency lighting in the exhibition hall is not adequate, emergency lighting must be provided for safety signage at exits and on emergency escape routes (cf. § 15 H-VStättR). For exhibition stands with an enclosed area of 30-100 m², illuminated emergency exit signs are sufficient.

Wall hydrants

Additional wall hydrants at exhibition stands are to be provided primarily for self-help, but also for use by instructed persons. Wall hydrants for self-help shall comply with DIN 14461 Part 1 Type “S” and are to be marked with an “S” accordingly, in addition to safety marking. The capacity of the wall hydrants for self-help is 24 l/min with simultaneous operation of two wall hydrants with non-distorting hoses 19 mm in diameter and a jet pipe with mouthpiece 4 mm in diameter.

Wall hydrants at exhibition stands are to be installed in the direct vicinity of stand entrances or at the top or bottom of stairs, respectively. Wall hydrants are to be located so that every part of an exhibition stand can be reached with at least one hydrant.

Stand personnel will be instructed in the use of wall hydrants by Messe Frankfurt.

Fire extinguishers

Every level of an exhibition stand must be equipped with at least one fire extinguisher appropriate to the existing fire risk. One additional fire extinguisher must be provided for each further 200 m². An additional fire extinguisher must be provided at the top of each flight of stairs within a stand. The fire extinguishers must have an extinguishing capacity of at least 27 A for fire classification A or 144 B for fire classification B and should not weigh more than 12 kg. Suitable fire extinguishers must be provided if stands have kitchens (fat fire extinguishers in accordance with DIN EN3).

For stands without closed ceilings measuring up to 30 m², a can of fire extinguishing spray with an extinguishing capacity of at least 8 A (2 extinguishing units pursuant to the extinguishing agent table ASR A2.2) can serve as an alternative to a fire extinguisher.

Exhibitors must label fire extinguishers with their stand number and exhibitor name to ensure that they can be properly assigned to the correct stand areas.

Fire alarm system

The automatic fire alarm systems on exhibition stands with closed ceilings shall be designed to detect a fire at an early stage and to warn both stand visitors, especially those on the top floor of a stand, and the fire service. By this means, the conditions for escape are significantly improved and fire service intervention times minimised. As well as warning facilities, systems for smoke removal can be activated by an automatic fire alarm system.

Acoustic, visual alarm

An acoustic/visual warning system must be installed on the top floor of two-storey exhibition stands if there is no visual contact with the exhibition hall. In this way, people on the top storey can be warned at an early stage if there is a fire alarm on the ground floor. The warning system is activated/triggered by the automatic fire alarm system on the ground floor of a two-storey stand. For exhibition stands with closed ceilings larger than 400 m², a warning system of this type must be provided on the ground floor, too.

Soundproof booths must additionally – irrespective of their size – either allow visual contact to the outside or feature an acoustic/visual signal system combined with an alarm button or an emergency switch outside the booth.

Smoke removal

Smoke removal from exhibition stands is by natural means or mechanically into the exhibition hall and from there by natural means or mechanically to the outside.

No smoke extraction system is required for exhibition stands with a ceiling area of less than 201 m².

For stands with a ceiling area of up to 1,000 m², smoke removal openings with clear opening space totalling 1 percent of the ceiling area, windows or doors with clear opening space totalling 2 percent of the ceiling area or a mechanical smoke extraction system with an air volume flow rate of 36 m³/h per square metre of ceiling area are considered adequate. No requirements relating to maintenance of thermal and electrical functions apply to systems for mechanical smoke removal from exhibition stands, since such smoke removal is only relevant in the self-help phase and possibly for giving help to third parties and no requirements are prescribed for exhibition stand elements either.

A mechanical smoke extraction system is triggered/activated via the automatic fire alarm system.

Sprinkling

Closed ceiling areas that are larger than 400 m² require a sprinkler system for the area beneath the closed ceiling. Several closed ceiling areas of up to 400 m² in size may not be directly linked without a sprinkling system. A minimum distance between ceiling areas of 5 m (straight line) must be observed.

Should a larger ceiling area result from not observing the minimum distance, including across multiple stands, the expenses incurred for compensatory measures according to Table 1 or 2 will be billed to those who caused them, including expenses for the affected neighbouring stand.

4.4.1.1 Stand construction and decorative materials

Materials that are flammable, drip while burning or generate toxic gases or large amounts of smoke, such as most thermoplastics (including polystyrene [styrofoam]), cannot be used for stand construction.

For safety reasons, special requirements may be imposed for load-bearing structural components in individual cases (e.g. non-flammable). Attachments that are structurally necessary or load-bearing can only be made using non-flammable fasteners and materials.

All stand construction and decorative materials must at least be classified as flame-retardant class B1 in accordance with DIN 4102 and/or class C s2 d2 in accordance with EN 13501-1. Stricter requirements apply in particular for materials that are used for ceiling structures or overhead: they must not only be flame-retardant, but also must not drip while burning. This corresponds to class C s2 d0 in accordance with EN 13501-1. For floor coverings, class C fl s1 is required. Test certificates stating the classifications of the building materials employed shall be kept available at the stand at all times.

All materials brought on site must be kept at a sufficient distance from ignition sources, spotlights and heat sources to ensure that they cannot be ignited. Decorations must be mounted directly on walls, ceilings or furnishings. Decorations suspended (freely) within the room are only permissible if they are at least 2.5 metres above the floor and do not impede the effectiveness of automatic fire extinguishing systems.

The rear of backlit areas/walls and LED walls must remain accessible to the fire brigade without the use of tools.

Bamboo, reed, hay, straw, bark mulch, peat or similar materials do not generally satisfy the aforementioned requirements, and should generally be afforded special protection or treated to render them non-flammable. Deciduous and coniferous trees may only be used if their roots are kept moist at all times. Attachments that are structurally necessary can only be made using fasteners approved for this purpose (e.g. plastic cable ties are prohibited!).

Candles with open flames, heating or cooking devices fired by wood, coal, gas, combustible liquids or combustible pastes are prohibited.

The use of artificial plants is not permitted unless they are demonstrably certified by the manufacturer as at least flame retardant B1 according to DIN 4102 or correspondingly at least C s2 d2 according to EN 13501-1.

4.4.1.2 Exhibiting motor vehicles

DEHEMA must be notified if motor vehicles are to be exhibited. This notification must include the number of vehicles, as well as the specification of the type(s) of vehicle(s) to be shown. Unintentional or negligent movement of the vehicles must be excluded by the exhibitor. Demonstrations during the event must be approved by the Technical Project Management.

Vehicles with combustion engines

- The fuel tank must be locked and nearly empty.
- Vehicles being exhibited may be powered by the starter battery as long as it is ensured that no hazardous gases are produced (e.g. by using gel batteries), the battery contacts are configured such that they are safe to touch, and the starter remains disconnected from the battery.
- The battery is to be disconnected or removed in all other cases.

Vehicles with natural gas propulsion systems

- The gas tanks must have been emptied and depressurised (see also item 5.7).

Vehicles with alternative drive technologies, e.g. electrically-powered vehicles or hybrid vehicles

- The fuel tank must be locked and nearly empty.
- The drive motor must be disconnected from the battery, e.g. by means of a battery disconnect switch.
- It must be ensured that there is no voltage at the high-voltage battery/the high-voltage battery must be in a typical, non-critical state for a battery.
- Batteries may only be charged in the exhibition halls with the prior agreement of DECHEMA.
- The positions of the vehicles within the stand area must be shown on a plan.
- The relevant rescue sheets must be kept at the stand, and are also to be submitted to DECHEMA in advance.
- Vehicles with fuel cells or other drive units are considered separately.

A sufficient quantity of suitable extinguishing units/agents for all vehicles is to be kept available at the stand at all times. DECHEMA reserves the right to require additional measures.

4.4.1.3 Explosive materials

Explosive materials are subject to the German Explosives Act (Sprengstoffgesetz), and may not be exhibited at trade fairs or exhibitions. The same applies to ammunition in the sense of the German Firearms Act (Waffengesetz).

4.4.1.4 Pyrotechnics

Pyrotechnic shows require approval and shall be coordinated with DECHEMA. Furthermore, approval must also be obtained from local authorities.

Pyrotechnic articles lacking the necessary approval and pyrotechnic articles of Classes II, III and IV are not approved for display or use.

4.4.1.5 Balloons

Employment of balloons filled with a combustible gas in the exhibition halls or on outdoor exhibition areas is prohibited.

It is possible to apply to DECHEMA for the approval of balloons filled with safety gas that are firmly anchored to a stationary structure, are located within the stand and do not exceed the maximum height. The distribution of gas-filled balloons is prohibited.

4.4.1.6 Flying objects

The use of flying objects in the exhibition halls or outdoor areas is prohibited. Exceptions to this rule require the prior written consent of DECHEMA.

4.4.1.7 Fog machines, hazers, Sparkulars and laser systems

Due to the fact that the use of fog and haze may trigger the automatic fire alarms installed in the exhibition halls, DECHEMA, Technical Organisation must be notified in writing of the use of such devices by **10 April 2024**. This notification must include the number of such devices, their model(s), and information on the type of fog generation being employed. No specific form is necessary for this notification. A copy of the operating instructions for the device(s) and safety data sheet for the fog fluid(s) must also be provided.

The cost of any measures necessary to deactivate fire alarm systems will be charged to the exhibitor by Messe Frankfurt. If the utilisation of fog machines is not coordinated with DECHEMA and the fire alarm system issues a false alarm as a result, DECHEMA will be forced to pass on the costs resulting from the deployment of the fire brigade to the party responsible.

Fog machines may not be utilised if they result in the disruption of operations at neighbouring stands. For this reason, it is also necessary to specify the times during which the machines will be used and how often they will be used. Suitable measures must be devised to ensure that the volume of fog is kept to a minimum in areas where it is not

required. It may be necessary for you to obtain the consent of your neighbouring stands.

Only those fog machines which satisfy the fundamental requirements of the German Product Safety Act (ProdSG) may be used. If fog machines are to be used as vaporisers, it is recommended that the declarations of conformity for the devices used confirm their compliance with DIN VDE 0700-245. The type of use and specific conditions of use must be taken into account when selecting fog machines. The fog machine operator must have access to the corresponding operating instructions. The only fog fluids which can be used inside the exhibition halls are those which do not contain any flammable, highly flammable or extremely flammable substances pursuant to Section 3 of the German Hazardous Substances Ordinance (GefStoffV) and which are not classified as hazardous substances under EU guidelines. Fog machine fluids can only be stored in the manufacturer's original packaging. During operation it is important to ensure that there is no heat accumulation and that the housing is able to dissipate heat without hindrance. In order to avoid the danger of fire from overheating in the event of a malfunction, the power supply to any fog machines not being used must be disconnected.

DECHEMA must be notified if laser systems and sparkulars are to be used. The operation must be in accordance with the provisions of item 5.10.3.

4.4.1.8 Containers for trash, recyclable materials and residual waste

No containers for trash, recyclable materials or residual waste that have been fabricated from combustible materials shall be set up on stands. All containers on stands shall be emptied regularly, no later than every evening following the close of the event, and their contents deposited in the containers for recyclable materials or residual waste at the stations at exhibition hall exits.

In the event that large quantities of combustible waste are generated, same shall be safely disposed of several times a day. Trash bags may be deposited in aisles at the end of each exhibition day for pick-up.

4.4.1.9 Spray guns, nitrocellulose lacquers, cleaning agents, solvents

Use of spray guns is prohibited in all exhibition halls. There is also a ban on any substances, paints, lacquers or varnishes containing solvents. The use of flammable liquids and construction and working materials that release toxic fumes is forbidden.

4.4.1.10 Work that poses a fire hazard

DECHEMA, Technical Organisation, shall be notified in advance of any work that poses a fire hazard, including e.g. welding, cutting, soldering, separating and grinding work. Said work shall not commence before it has been approved and a permit has been received. The surrounding area shall be adequately shielded during said work. Suitable extinguishing units/agents are to be kept in the direct vicinity and ready to use at all times.

4.4.1.11 Empty packagings, storage of materials

The storage of empty packaging/flammable materials of any type (e.g. packaging and packaging materials) either inside or outside the stand in the exhibition hall is prohibited. All empty packagings shall be immediately removed. Empty packagings may be placed in storage by Messe Frankfurt's Logistics Service:

Logistics Services

Cargo Center Messe Frankfurt

Ludwig-Erhard-Anlage 1

60327 Frankfurt am Main

GERMANY

Phone: +49 69 7575-6075

Fax: +49 69 7575-96075

E-mail: logistics@messefrankfurt.com

In the event that the exhibitor does not comply with a request to remove items that are improperly stored, or with a request to immediately remove any empty packaging, DECHEMA and Messe Frankfurt shall be authorised to have the items removed at the expense and risk of the exhibitor.

4.4.1.12 Fire extinguishers

Every level of an exhibition stand must be equipped with at least one fire extinguisher appropriate to the existing fire risk. One additional fire extinguisher must be provided for each further 200 m². An additional fire extinguisher must be provided at the top of each flight of stairs within a stand. The fire extinguishers must have an extinguishing capacity of at least 27 A for fire classification A or 144 B for fire classification B and should not weigh more than 12 kg. Suitable fire extinguishers must be provided if stands have kitchens (fat fire extinguishers in accordance with DIN EN3).

Exhibitors must label fire extinguishers with their stand number and exhibitor name to ensure that they can be properly assigned to the correct stand areas.

4.4.1.13 Water features, pools

The use of water in pools, fountains, water wall systems and other spray systems at stands for shows etc. can result in greater bacterial load, particularly as a result of the creation of aerosols. Therefore, circulating water used in such systems must be protected against infection, e.g. by chlorine tablets.

4.4.2 Stand ceilings

In order to avoid hindering sprinkler protection in exhibition halls, all stands located in exhibition halls equipped with sprinkler systems shall be open at the top.

The ceilings of stands shall be regarded as open if no more than 50% per each m² of the area is covered. Sprinkler-compatible, open-mesh ceiling fabric having apertures measuring at least 2 x 4 mm or 3 x 3 mm (no Smoke Out) is approved for use. Tarpaulins shall be stretched horizontally and in a single layer only. Sagging of the ceiling shall be avoided.

Up to 30 m² of contiguous ceiling area per stand, but no more than 50% of their total floor area, may be covered without any additional measures being necessary. In order to avoid exceeding the maximum area of 30 m² in the case of several adjoining ceiling areas, minimum spacing of 1.50 m to the boundaries of the stand shall be maintained. Should a larger ceiling area result from not observing the minimum distance from stand edges, including across multiple stands, the expenses incurred for compensatory measures according to Table 1 or 2 will be billed to those who caused them, including expenses for affected neighbouring stand(s).

Several ceiling areas of up to 30 m² in size are also permitted within a stand, provided that a minimum distance of 3 m is maintained between the areas. If adjoining ceiling areas (including those between two or more stands) exceed 30 m², corresponding compensation measures shall be necessary (cf. item 4.4.1, Table 1, "Fire protection programme for one-storey exhibition stands with closed ground floor ceilings and two-storey exhibition stands with open top floor ceilings").

Closed ceilings having areas exceeding 30 m² require approval. Closed ceilings are not permitted in foyers. Stand drawings shall be uploaded in the Exhibitor Portal at www.achema.de for approval **by 10 April 2024**. Corresponding equipment (wall hydrants, fire alarm systems, visual/acoustic alarms, mechanical smoke removal systems, sprinklers) shall be installed by contractors of Messe Frankfurt, and exhibitors shall be charged for their installation and will be invoiced by Messe Frankfurt.

A fire alarm shall be installed in soundproof cabins having floor areas of 30 m² or larger. Independent of their size, these rooms must additionally allow visual contact to the outside or feature a visual signal system combined with an alarm button or an emergency switch outside the room.

All requirements related to the installation of closed ceilings can be found in Tables 1 and 2, item 4.4.1.

4.4.3 Glass and acrylic glass

Only glass suitable for the intended use shall be employed. All glass employed on glass structures shall be safety glass. The fact sheet "Use of glass and acrylic glass in stand construction and design inside fair halls" is available at www.achema.de. The edges of glass panels shall be ground or protected such that personal injuries are precluded. Structural elements fabricated entirely from glass shall be marked at eye level.

4.4.4 “Trapped rooms”, occupied rooms

“Trapped rooms” (rooms which can only be exited via other occupied rooms) are only permissible under the following conditions:

- In the rooms through which trapped rooms exit, there must be a suitable wide escape route (dimensions according to H-VStättR [Hessian guidelines on public meeting places], but at least 90 cm) which at no point in time may be blocked or otherwise made unusable.
- If there is no direct line of sight to the exhibition hall, it is required to install an optical and acoustic warning system to ensure that alarms can be triggered at any time. This system will be installed exclusively by companies under contract to Messe Frankfurt, at the exhibitor’s expense.

4.5 Exits, escape routes, doors

4.5.1 Exits, escape routes

The distance between any point on an exhibition area and an exhibition hall aisle shall not exceed 20 m walking distance. Lounges, workrooms, and exhibition areas that are intended for fewer than 100 visitors as well as exhibition areas having floor areas of 100 m² or less shall have one exit having a minimum width of 0.90 m. Every stand with a floor area larger than 100 m² and/or that is intended for more than 100 persons must have at least two exits, as far apart as possible and at opposite ends of the stand. The widths of said exits and escape routes shall depend upon the maximum number of persons and shall be as follows (see also item 4.4.1):

- fewer than 200 persons, at least 0.90 m
- from 200 persons onwards, at least 1.20 m

Larger exit widths shall be graduated in 0.60 m increments per 100 persons only. Escape routes shall be marked in accordance with accident prevention regulations and ASR A1.3 “Health and Safety Signage”.

4.5.2 Doors

Employment of swinging doors, curtains, revolving doors, doors that require entry of a code in order to open them, sliding doors, or other means for restricting access along escape routes is prohibited. Doors along escape routes must open in the direction of escape; they must not obstruct hall aisles when open, must not be lockable, and must be easily opened to their full width from the inside at all times.

4.6 Platforms, ladders, stairs, landings

Publicly accessible areas that directly border on areas more than 0.20 m below them shall be bordered by railings unless they are connected to the lower levels by steps or ramps. The maximum slope of ramps on rescue and escape routes is 6%. The railing must be at least 1.10 m high. There must not be more than 0.12 m space between railing/banister components in any direction. Handrails shall be rigid, provide a secure grip, and have no exposed ends. A verifiable structural certification must be submitted for the platform; the inspection and approval of this special construction entails costs for which the exhibitor/stand constructor will be billed.

The load-bearing capacity of floors shall, in accordance with its usage, conform to DIN EN 1991-1-1/NA:2010-12, Table 6.1 DE [Cat. C1], and shall be at least 3.0 kN/m². In accordance with DIN EN 1991-1-1/NA:2010-12, Table 6.12 DE, railings and banisters must be designed to withstand a horizontal live load [for areas of Cat. C1-C4] of $q_k = 1.0$ kN/m at handrail height. Accessible single-level platforms cannot be more than 0.20 m above floor level. The substructure of the platform floor must comply at least with building materials class B1 of DIN 4102 and/or class C s2 d2 in accordance with EN 13501-1. For floor coverings, class C fl s1 is required.

Nothing may be stored beneath platforms or podiums. They shall have zero fire load. Hollow spaces in platforms whose height is less than 0.20 m do not have to be monitored using automatic fire alarms. Hollow spaces in platforms with automatically operated turntables or with concentrations of cable fire loads are, insofar as they are higher than 0.20 m, to be monitored using automatic fire alarms located within the hollow spaces. If platforms with electrically-operated turntables are adjacent to other hollow spaces, these are to be separated structurally in order

to prevent the spread of smoke to adjacent areas.

Ladders, stairs, and landings must comply with current German accident prevention regulations.

All stairways shall comply with DIN 18065. The distance between any point in the stand and an exhibition hall aisle shall not exceed 20 m walking distance.

The number and clear width of stairs shall depend on the area of the top floor and the number of persons on the top floor (see also item 4.4.1):

- top floor area up to 100 m², fewer than 200 persons: 1 flight of stairs, minimum width 0.90 m
- top floor area from 101 m² - 200 m²: minimum 2 flights of stairs, minimum width 0.90 m each, arranged oppositely, from 200 persons minimum width 1.20 m
- top floor area from 201 m²: 2 flights of stairs, minimum width 1.20 m each, arranged oppositely
- plus 0.60 m clear width of each flight of stairs for every additional 100 persons

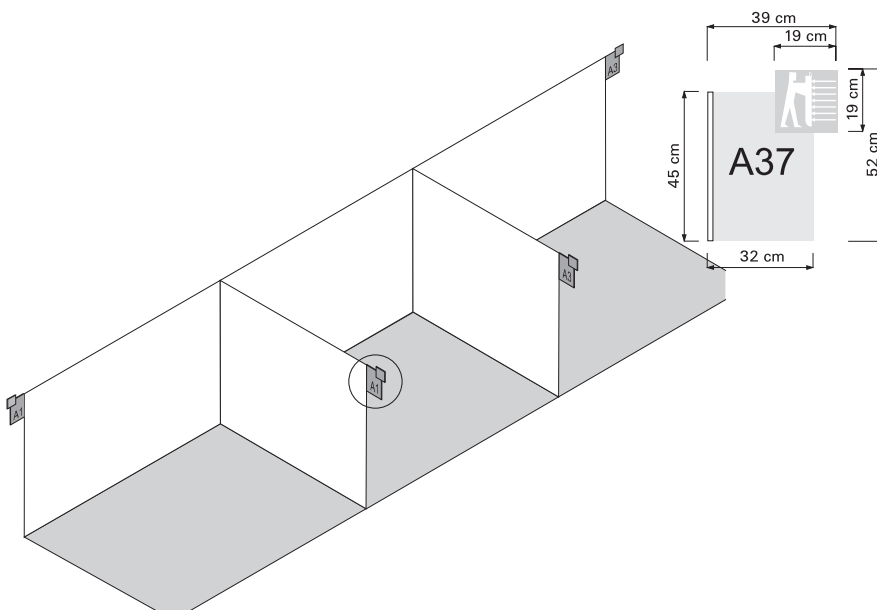
Spiral and circular staircases are approved for use as auxiliary stairways. Moving components, such as escalators or rotating stages (special structures), require prior approval. The documents are to be uploaded in the Exhibitor Portal at www.achema.de. They will be passed to Messe Frankfurt, Technical Event Management. Stairways that are wider than 1.20 m shall be equipped with handrails on both sides. Stairways that are wider than 2.40 m must have central handrails. Handrails shall be rigid, provide a secure grip and have no exposed ends.

4.7 Stand design

4.7.1 Stand appearance, stand numbering

Exhibitors are responsible for designing their stands. In general, please note that stand design and demonstrations of any kind shall not interfere with or disturb other exhibitors or visitors. The concept of the stand design must be tailored according to the rented stand type (block, corner, aisle stand, stand with three open sides).

For orientation purposes and in order to ensure a unifying ACHEMA image in the halls, stand numbers will be affixed to stands during the last night before the event begins insofar as the stand construction permits this.



These stand numbers may only be removed with the approval of DECHEMA and with the written declaration of agreement of the stand neighbour(s) affected.

No numbered stand signs will be provided in the outdoor exhibition area.

Stand construction shall be such that the edges bordering on aisles shall be as transparent as practicable. 70% of the front side should preferably be kept open to demonstrate the open character of the stand construction. In line of a well-balanced hall layout long, enclosed stand structures bordering on aisles are not permitted and must be interrupted by display cases, niches, displays or similar.

The rear sides of stands adjacent to neighbouring stands must be kept smooth and white or light grey from a height of 2.50 m, or must be positioned at least 1.00 m from the border of the neighbouring stand, so as not to impair the design of the neighbouring stand. In any case the visible rear side adjacent to the neighbouring stand has to be in an optically perfect condition. Two-storey stands are to be designed so that it is not possible to look into neighbouring stands.

Insofar as visitors are able to look down onto stand ceilings, same shall be incorporated into stand designs (Hall 3.0, Hall 6.0 East, Forum 0, Galleria 0, Foyer 4.1). The reverse sides of stand partitions that are visible shall be in optically impeccable condition.

4.7.2 Verification and return of rented areas

Rented areas shall be marked as such by DECHEMA.

Before commencing stand allocation DECHEMA shall, as far as possible, have checked all the dimensions given on the hall plans and included any changes in the hall plans. Please note that no liability can be accepted, in particular with regard to the exact positioning of utility outlets, ventilation systems, columns and unevenness of the floor. In cases where exhibitors require exact dimensions, we will be pleased to assist you with a site visit in the run-up to AICHEMA.

On arrival at the exhibition grounds please check that your stand area is correctly positioned and that it is in a satisfactory condition. Should you have any reason for complaint, please inform DECHEMA without delay before commencing set-up work. The reason for complaint shall be documented in writing and countersigned by DECHEMA.

The stand dimensions must not be exceeded nor may light fittings or signs project beyond the stand boundaries.

4.7.3 Interventions in the structure and equipment of buildings

Components of exhibition hall structures and their technical facilities shall not be damaged, dirtied or otherwise altered, e.g. by drilling into same or driving nails or screws into same. Painting, wallpapering, or/and affixing items are also prohibited.

Components of exhibition halls and their technical facilities shall not be subjected to static loadings by stand structures or exhibits.

The supporting columns of exhibition halls located within stands may be enclosed up to the level of the maximum stand height allowed, provided that they shall not be damaged thereby.

Installations on the supporting columns of exhibition halls, hall walls and technical facilities shall remain freely accessible at all times. Suitable access ports for servicing shall be provided on stand structures wherever necessary.

4.7.4 Exhibition hall floors

Carpets and other floor coverings shall be laid such that accidents will be prevented, and shall not extend beyond stand boundaries.

PE/PP double-sided tape that may be removed without leaving any residues shall be employed for holding carpets and floor coverings in place.

All materials employed shall be completely removed by exhibitors without leaving any residues.

Any substances, such as oil, grease, paint, and similar, must be removed from the floor immediately. Exhibition hall floors shall not be painted or have anything glued onto them. Stand utilities, cable routing, servicing access hatches, etc., shall not be obstructed. Driving or setting anchorings or other mounting hardware into the floors is prohibited. Carpets and other floor coverings used on exhibition areas shall be at least flame retardant according to DIN 4102-B1 and/or EN 13501-1 class Cfl-s1. Test certificates stating the classifications of the building materials employed shall be kept available on stands at all times.

4.7.5 Suspension points, chain hoists, installation of trusses, fasteners

Elements may only be suspended from the technical facilities provided for this purpose (these are not, however, available in Galleria and in the foyers).

The suspension of any elements is subject to approval and the necessary work must be carried out in accordance with DGUV 1, 17/18. This also applies to the suspension of pre-riggs and their own ground support systems. Collapsible carabiners of any type are not permitted, included when used as a secondary securing apparatus (safeties) for lights. All ropes, cables and chain slings used must also comply with the requirements of the above mentioned instructions and guidelines and must be appropriately dimensioned to carry the respective load. The fitters must be in possession of the relevant certification in accordance with DGUV 17/18, "Specialist for load-securing devices".

Suspensions from the hall ceiling may only be handled by companies working under contract to Messe Frankfurt. Orders for same must be submitted to DECHEMA and be accompanied by a floor plan showing the suspended loads and requested suspension point positions. A loading diagram must be submitted for complex systems (constructions with more than one line), which shows all of the individual loads and line loads, as well as the overall load. A separate structural calculation may be needed under certain circumstances and may be requested by DECHEMA or its contractors.

Furthermore, DECHEMA reserves the right to engage a structural engineer to verify the applied loads and structures used. This verification procedure incurs costs, which will be charged to the ordering party/exhibitor.

The maximum construction height of the halls (see data sheets of the individual hall levels that are available online for every exhibitor with the stand plan after stand confirmation) also applies to traverse systems, also for stands smaller than 30 m². Please also be sure to note item 5.3.6 "Equipotential bonding (stand earthing) for metal constructions" when conducting your planning. All suspension points for light loads (generally these are 50 kg suspension points) are ONLY provided with 5-6 mm cables as standard! The use of manual chain hoists with such suspension points is prohibited. Please pay attention to the fact sheet "Suspensions from the hall ceiling" that can be downloaded in the Exhibitor Portal at www.achema.de.

4.7.5.1 Electric chain hoists

Electric chain hoists may only be used in halls equipped with heavy-duty suspension points. Electric chain hoists may not be used in halls with 50 kg suspension points ("Halfen cast-in channels"). Use of such electric motors is subject to the requirements for electric chain hoists in the event technology industry (igvw SQ P2).

Available for download at: www.igvw.de or www.achema.de/technicalregulations.

The weight of the electric chain hoists must be taken into consideration on the loading diagram to ensure that the load-bearing points are not overloaded.

The contractor must ensure that the chain hoists are tested every year. The seal of approval must be attached to each motor in such a way as to be easily visible. The test records must accompany the motors at all times and must be kept ready for inspection at the operation location. These tests do not replace the mandatory inspection by an official expert every 4 years.

4.7.5.2 Manual chain hoists, installation of trusses

It is absolutely essential that the intention to use manual chain hoists be specified when an order is placed! For line loads and distributed loads, no more than four manual chain hoists may be used in a single construction/system. Manual chain hoists may only be used in conjunction with cables that are at least 8 mm thick,

and only with suspensions for heavy loads. In Halls 3.0, 3.1, 8.0, 11.0, 11.1, 12.0 and 12.1 the maximum possible point load that can be raised is 100 kg. Once stand construction and set-up activities have been completed, the load is to be removed from the manual chain hoists. The loadbearing hook of the chain hoist must be suspended perpendicularly above the load's centre of gravity. The load chain cannot be used for securing loads. A chain bag that has been approved for use with the chain hoist must be present. When loads are lifted, all manual chain hoists must be manned simultaneously, and the load must be raised as synchronously as possible. It is forbidden to move loads above people using manual chain hoists. The weight of the manual chain hoists must be accounted for in the load plan to ensure that the load-bearing points are not overloaded. In Halls 1.1, 4.0, 4.1, 4.2, 6.0, 6.1, 6.2, 9.0, 9.1 and 9.2, the maximum possible point load for light loads that can be appended is 50 kg.

4.7.5.3 Fasteners

Plastic cable ties must not be used to secure components that are subjected to static loads. Only approved fastening means (including high-strength shackles, screw-lock carabiners) may be used as fasteners and safeties.

Attachments that are structurally necessary can only be made using fasteners approved for this purpose e.g. plastic cable ties are prohibited!

4.7.6 Stand boundary partitions

Exhibitors are obliged to provide partitions at least 2.50 m high. In the case of stands located next to hall walls, the relevant parts must be clad. Above a height of 2.50 m, the stand partitions facing neighbouring stands shall be white or light grey and kept clean so that neighbouring stands are not optically impaired. The stand partitions, whose reverse side is visible, shall be optically impeccable.

Stand partitions may not exceed the confirmed stand dimensions at any point.

DECHEMA offers exhibitors stand packages in standard sizes and with standard equipment, as well as rental of customised stand equipment on request. To order, please use the online order system of ACHEMA at www.achema.de.

4.7.7 Cool light illumination concepts

Under the motto "cool light" DECHEMA will include LED spotlights or similar light sources with little waste heat in the offered stand construction packages to reduce the amount of waste heat in the halls. Exhibitors are kindly asked to follow the lead.

4.7.8 Exhibits, performances, presentations, advertising media

Stand and exhibit lettering and company and brand logos shall not exceed the maximum construction height (see data sheets of the individual hall levels that are available online for every exhibitor with the stand plan after stand confirmation). Inscriptions, logos, etc. are to be kept at least 1.00 m from the border of the neighbouring stand. Same should have an attractive appearance.

Presentations, visual advertising media, slow-moving and acoustic advertising media, and playback of recorded music shall be allowed inside the stand, provided that neighbours shall not be disturbed thereby, no congestion shall occur in walkways, and Messe Frankfurt's own public address system shall not be drowned out. Sound pressure levels at the boundaries of the stands involved shall not exceed 70 dB(A).

In the event of violations of that regulation, DECHEMA shall be entitled to take action against offenders and, if necessary, demand that the offending equipment be shut down.

The exhibitor is fully responsible for the stability and operational safety of all exhibits, equipment and installations and may be requested to provide supporting evidence. The exhibitor is liable for all consequences connected with the display of exhibits and bears the costs of all safety measures.

Exhibits in operation have to be registered. On demand, a risk analysis has to be presented on-site.

DECHEMA urgently recommends you to have all exhibits checked that exceed the permitted load-bearing capacity

of the floor (see data sheet of the hall level) or whose stability is questionable on account of their size/height. **You can upload your documents for verification in the Exhibitor Portal at www.achema.de.**

The following details are required for the inspection: drawings, including sections, dimensions, weight distribution, and a static calculation in accordance with German standards. If a static inspection is necessary or if no static calculation is available although required for the inspection, DECHEMA will order a static calculation and/or an inspection by a contractor at the exhibitor's expense.

The following points shall be observed with regard to the height, length, width and weight of exhibits and any necessary transport vehicles:

- the load-bearing capacity of the hall floors
- hall height
- load-bearing capacity of the lifts
- dimensions of lift cabins and of hall doors
- load distribution

All relevant information is given in the data sheet of the individual hall level that is available online for every exhibitor with the stand plan after stand confirmation.

DECHEMA reserves the right to order an inspection by a structural engineer on the spot at the exhibitor's expense if any doubt arises as to the stability of exhibits. The engineer may impose safety measures or even prohibit the exhibit.

If you need to bring exhibits with a weight of more than 7,500 kg or with a height or width of more than 5 meters into the halls whose transport could cause problems during regular set-up times, please contact the Logistics Service of Messe Frankfurt in good time to arrange a delivery date (phone: +49 69 7575-6075, fax: +49 69 7575-96075, e-mail: logistics@messefrankfurt.com).

Equipment, installations and presentations designed to attract the attention of visitors require individual approval. Presentations shall serve to illustrate the features and function of exhibits. The volume shall not exceed 70 dB(A). If background music is planned, please note the conditions of GEMA (Society for Musical Performance and Mechanical Reproduction Rights – cf. item 5.13).

Multimedia equipment, including any exhibits involved, shall not exceed the permissible stand construction height. The location of such equipment is to be selected so that visitors can enter the stand, thus ensuring that the aisles remain unobstructed.

The use of laser equipment for advertising or decorative purposes is prohibited.

For shows and similar events, the regulations "Event and production locations for stage presentations" DGUV 17/18 must be observed. DECHEMA is to be notified of any planned shows, or product presentations involving shows, for approval.

Distribution of printed matter and employment of advertising media by exhibitors is allowed on their own stands only.

If the above conditions are not fulfilled or the exhibition is disrupted, DECHEMA shall have the right to ban the use of such equipment. The exhibitor has no right to compensation.

Live animals shall not be exhibited.

4.7.9 Barrier-free construction

Stands should be designed to ensure barrier-free access. It should be possible for mobility-impaired persons to easily access stands and use their facilities without assistance.

4.7.10 Foundations, pits

In the event that exhibitors plan to have any foundations built, pits dug or any other structural alterations made to buildings, scale drawings listing the weights and dimensions of exhibits and storage areas shall be submitted to DECHEMA, Technical Organisation, for approval by **10 April 2024**. Exhibitors shall be responsible for all associated costs as well as expenses to restore any items altered to their original conditions immediately following conclusion of the event. Orders are solely to be directed to DECHEMA.

4.8 Outdoor exhibition areas

Please note that, in some parts, the ground in the outdoor exhibition area has a steep declivity, thus it cannot be assumed that it is level or even.

Outdoor areas at Messe Frankfurt are paved or asphalted circulation areas. During hours of darkness, outdoor areas are illuminated by a general network of street and pavement lighting in accordance with the opening hours of the event. The required utility connections are present at irregular intervals.

The foregoing general provisions for stand construction shall apply analogously for stands in outdoor areas.

4.8.1 Stand construction permits, stand structures requiring approval

For stands in the outdoor area exhibitors shall upload scale floor plans and top/side/perspective view drawings covering the planned stand structures and stand design, complete with their precise dimensions for approval in the Exhibitor Portal at www.achema.de.

The following documents are required in German or English language at the latest by **10 April 2024**:

- a) Static calculations complying with German building standards which are checkable or have been checked by a second independent structural engineer. In the event that static calculations examined by a second, independent structural engineer are not submitted, the firm of engineering consultants commissioned by Messe Frankfurt or DECHEMA will check the structural calculations. The exhibitor will be charged for all costs involved.
- b) building description specifying materials used (including certificates where applicable)
- c) stand drawings (floor plans, side/top/perspective views, sectioned drawings) drawn to a suitable scale, e.g. 1:100 plus ceiling schematic including dimensions of the enclosed ceiling area(s)
- d) escape route plan including lengths and widths of emergency escape route(s)
- e) Submission of a type certification/certification book renders item a) superfluous.

DECHEMA shall check that stands in the outdoor area are in keeping with the design directives of ACHEMA. Thereafter the plans will be forwarded to Messe Frankfurt who shall check the stands according to safety and static criteria and shall then send them to the exhibitor/stand constructor together with the letter of approval.

Checked, or checkable, static computations shall be included with the sets of drawings submitted. If no checked static computations are submitted, checking by a firm of engineering consultants engaged by Messe Frankfurt shall be required. The charges therefore shall be invoiced to the exhibitor. The structural engineer will contact the stand construction manager at a specified time / after consultation to provide assistance and examine structural characteristics, and to inspect the structure for a fee.

Missing static causes additional costs for the exhibitor or stand constructor.

A valid certificate book must be available for tents and superstructures which have been classified as “temporary structures” (“Fliegende Bauten”), (i.e. buildings and structures suitable for being set up and dismantled repeatedly – e.g. tents, platforms and show trucks that are temporarily stationary). DECHEMA shall be notified of the installation of such temporary structures. The approval documents/certificate book must be available for inspection on the stand before the event opens. Stands in the outdoor area, regardless of whether they are stands or temporary structures, require inspection on the spot. The costs for checking the static computations and/or inspection on the spot will be invoiced to the exhibitor after the event.

The approved plans cannot be viewed in the Exhibitor Portal.

The following costs will occur:

Costs will be charged for **every** inspected component according to the price list at the fact sheet “Inspection of constructions requiring approval / costs”, that means if there will be different components to inspect at one booth, **every component will be charged separately**.

- In the event that static calculations examined by a second, independent structural engineer were submitted, a fee for the inspection on-site.
- If there is no certified static analysis at hand or a certified static is not feasible, costs arise for the verification of the static calculations as well as for the inspection on-site.
- If there is no static at all, costs arise for the static calculations as well as an omission surcharge of 30% of

this sum and for the inspection on-site.

- Possible costs could arise for ordered fire protection measures and maybe for the rental of the upper floor area of two-storey exhibition stands.

4.8.2 Ground anchors, excavations

Employment of ground anchorings, such as ground stakes or similar, is prohibited.

In the event that exhibitors plan any excavations for foundations, pits, pipelines, cable ducts, flagpoles, etc. on outdoor exhibition areas, approvals for same shall be obtained from DECHEMA, Technical Organisation, in good time. This work may only be carried out by companies commissioned by Messe Frankfurt.

4.8.3 Weather related loads

4.8.3.1 Wind loads

All stand constructions in outdoor areas must be adequate in design and size to withstand the strains resulting from wind loads in accordance with DIN EN 1991-1-4 and the location-specific wind zone.

4.8.4 Severe weather warnings

In the event that severe weather is expected and any of the following are forecast:

- wind gusts > 13 m/s (wind speed > 6 Beaufort scale – including for individual gusts)
- severe thunderstorms with wind gusts, torrential rain or hail
- torrential rain > 20 l/m² in an hour
- snowfall up to 10 cm within the next 6 hours
- icy surfaces/black ice resulting from the rapid freezing of rain, drizzle or other moisture

Messe Frankfurt will issue a general severe weather warning to all exhibitors/customers with stand constructions in outdoor areas.

Once this has occurred, all exhibitors with stand constructions and/or temporary structures that are vulnerable to wind load must immediately take all measures necessary to shut down operations. The necessary measures must be carried out in accordance with the model approval and/or the structural engineer's specifications/inspection report.

For mobile items/equipment (e.g. small exhibits, furniture, sun umbrellas, small promotional signs/displays etc.), the exhibitor must ensure that these items can be removed and stored quickly at any time in the event of a severe weather warning. Suitable storage capabilities must be maintained at the stand.

Person responsible: In order to ensure that everyone can be informed directly of severe weather warnings, an individual must be designated as the person responsible for this for every phase of the event (set-up/event/dismantling) by no later than the start of the set-up period. The name and mobile phone number of this person must be provided, and they must remain in the stand/event area in order to be able to immediately carry out the necessary measures for shutting down operations.

4.9 Two-storey structures

4.9.1 Requests for approval

In the case of two-storey structures DECHEMA shall ascertain that they are in keeping with the design directives of ACHEMA. Thereafter these plans will be forwarded to Messe Frankfurt who shall check the stands according to safety and static criteria and shall then send them on to the exhibitor/stand constructor with a letter of approval. The charge for checking two-storey structures will be invoiced to the exhibitor. Inquiries shall be uploaded in the Exhibitor Portal at www.achema.de no later than **10 April 2024**. Two-storey constructions are subject to acceptance by DECHEMA.

The following documents are required in German or English language at the latest by **10 April 2024**:

- a) Static calculations complying with German building standards which are checkable or have been checked by a second independent structural engineer. In the event that static calculations examined by a second, independent structural engineer are not submitted, the firm of engineering consultants commissioned by Messe Frankfurt or DECHEMA will check the structural calculations. The exhibitor will be charged for all costs involved.
- b) building description specifying materials used (including certificates where applicable)
- c) stand drawings (floor plans, side/top/perspective views, sectioned drawings) drawn to a suitable scale, e.g. 1:100 plus ceiling schematic including dimensions of the enclosed ceiling area(s)
- d) escape route plan including lengths and widths of emergency escape route(s)
- e) Submission of a type certification/certification book renders item a) superfluous.

The following costs will occur:

Costs will be charged for **every** inspected component according to the price list at the fact sheet “Inspection of constructions requiring approval / costs”, that means, if there will be different components to inspect at one booth, **every component will be charged separately**.

- In the event that static calculations examined by a second, independent structural engineer were submitted, a fee for the inspection on-site.
- If there is no certified static analysis at hand or a certified static is not feasible, costs arise for the verification of the static calculations as well as for the inspection on-site.
- If there is no static at all, costs arise for the static calculations as well as an omission surcharge of 30% of this sum and for the inspection on-site.
- Additional costs for the rental of the upper floor area of two-storey exhibition stands will apply and mandated fire protection measures could incur further costs.

4.9.2 Restrictions applying to stand superstructures, safety clearances, height of interior rooms

DECHEMA and Messe Frankfurt reserve the right, at their sole option, to refuse to allow construction of two-storey structures in the interest of the overall appearance of exhibition halls and/or for safety reasons.

The clear height of the interior rooms of multi-storey structures shall be at least 2.30 m.

For top floors having areas exceeding 30 m², the stand area covered by their top floor shall be equipped with an automatic fire alarm system. Other measures may be necessary; for further details please consult Tables 1 and 2, item 4.4.1. Exhibitors shall order any necessary compensation measures from Messe Frankfurt, Technical Event Management. The associated installations shall be arranged by Messe Frankfurt and the charges therefor shall be invoiced to exhibitors.

Checked, or checkable, static computations supplied to DECHEMA shall be referred to a firm of engineering consultants to check their conformity with the construction plans submitted. In the event that structural calculations examined by a second, independent structural engineer are not submitted, the engineering consultant will inspect the plans themselves and separately invoice the exhibitor for their services. The engineering consultants involved shall report to the responsible stand builder on-site in due course or by arrangement in order to check the static safety of the stand construction.

4.9.3 Live loads, design loads

The following working load requirements apply to the upper floor of a two-storey stand in an exhibition hall, as perpendicular live loads (= qk) in accordance with DIN EN 1991-1-1/NA:2010-12, Table 6.1 DE [Cat. C]:

- The following live load [Cat. C1] is required for limited use by trade visitors or by stand personnel engaged in discussions or assisting customers, i.e. furnished with tables and chairs arranged freely or in discussion booths: $q_k = 3.0 \text{ kN/m}^2$.
- The following live load [Cat. C3 or higher] is required for unrestricted use as a freely accessible area for exhibitions and assemblies, either with or without densely arranged seating: $q_k = 5.0 \text{ kN/m}^2$.

The type of use must be clearly evident in the plans submitted for approval. The evidence of stand safety must allow for the fact that anchorings are not permitted. A horizontal load amounting to $H = q_k/20$ at upper floor level must be

assumed for a two-storey exhibition stand or grandstand in order to achieve adequate longitudinal and transverse stability.

Railings and banisters must be designed to withstand a horizontal live load in accordance with DIN EN 1991-1-1/NA:2010-12, Table 6.12 DE [for areas of Cat. C1 – C4] of $q_k = 1.0 \text{ kN/m}$ at handrail height.

Evidence showing that the permitted loads on the hall floor have not been exceeded, e.g. by individual supports (see data sheets of the individual hall levels that are available in the Exhibitor Portal) must be provided.

Stand structures must be designed to withstand an equivalent distributed lateral load of

$$q_{h1} = 0.125 \text{ kN/m}^2 \text{ up to 4 m in height measured from the top of the floor}$$

$$q_{h2} = 0.063 \text{ kN/m}^2 \text{ for all areas more than 4 m high measured from the top of the floor}$$

in order to achieve adequate tilt and slip resistance and ensure stand stability. Deviations are possible in substantiated individual cases as long as proper evidence is provided.

For multi-storey structures and special constructions, load-distributing base plates measuring at least $0.20 \text{ m} \times 0.20 \text{ m}$ are to be provided beneath the supports; with high loads these must comply with the corresponding structural engineering requirements. Stairs and landings must always be designed for a live load [Cat. T2] of $q_k = 5.0 \text{ kN/m}^2$.

4.9.4 Escape routes, stairways

On the top floors of two-storey exhibition stands, the walking distance from any accessible location to the nearest exhibition hall aisle via the stairway shall not exceed 20 m.

All stairway structures shall comply with DIN 18065. The railings must be at least 1.10 m high. The number and the clear width of stairways shall depend on the area of the top floor and the number of persons on the top floor (cf. item 4.4.1):

- top floor area up to 100 m^2 , fewer than 200 persons: 1 flight of stairs, minimum width 0.90 m
- top floor area from 101 m^2 - 200 m^2 : 2 flights of stairs, minimum width 0.90 m each, arranged oppositely, from 200 persons minimum width 1.20 m
- top floor area from 201 m^2 : 2 flights of stairs, minimum width 1.20 m each arranged oppositely
- plus 0.60 m clear width of each flight of stairs for every additional 100 persons

Spiral and circular staircases are approved for use as auxiliary stairways.

Moving components, such as escalators or rotating stages (special structures), require prior approval. The documents are to be uploaded in the Exhibitor Portal at www.achema.de. They will be passed to Messe Frankfurt, Technical Event Management. Stairways that are wider than 1.20 m shall be equipped with handrails on both sides. Stairways that are wider than 2.40 m must have central handrails. Handrails shall be rigid, provide a secure grip and have no exposed ends.

4.9.5 Building materials

All stand construction and decorative materials shall comply at least with building materials class B1 of DIN 4102 and/or class C s2 d2 in accordance with EN 13501-1. Stricter requirements apply in particular for materials that are used for ceiling structures or overhead: they must not only be flame-retardant, but also must not drip while burning. This corresponds to class C s2 d0 in accordance with EN 13501-1. For floor coverings, class C fl s1 is required. Special requirements may apply to load-bearing structural elements in the interest of safety. Materials such as rigid polystyrene foam, PVC, or similar, as well as various acrylic glass products, that are readily flammable, drip while burning or form toxic gases shall not be employed. The materials employed shall not contribute to evolution of large volumes of smoke. The appropriate certificates regarding the fire protection properties of the building materials and components shall be presented to the safety authorities and/or DECHEMA on request.

4.9.6 Top floors

Guards at least 0.05 m high that will prevent objects from rolling off top floors shall be installed on the flooring of top floors in the vicinity of railings, if required.

Railings shall comply with items 4.6 and 4.9.3 above.

The second floor must be at least 2.50 m away from neighbouring stands, or the side of the top floor adjacent to

the neighbouring stand must be closed with a wall at least 2 m high. The top storey should always be left open to ensure that the effectiveness of the fire extinguishing systems is not impaired. If the ceilings of top storeys are closed, the requirements as shown in Table 2 of 4.4 Fire protection and safety regulations shall apply. All necessary fire protection measures can be found in item 4.4.1 (Fire protection regulations).

4.10 Misuse / Violation and liability

Stand structures that fail to comply with these Technical Guidelines or legal requirements may be subject to alteration or removal. Should this alteration or removal not be completed on time, DECHEMA is entitled to undertake this itself or have this performed by a third party, at the expense and risk of the exhibitor. In the event that the exhibitor or the stand constructor they have commissioned fails to comply with these stand construction regulations, the exhibitor shall be liable for all damages arising as a consequence of the violation of these stand construction regulations. In addition, the exhibitor or the stand constructor they have commissioned shall already indemnify DECHEMA against any and all third-party claims that might be asserted against DECHEMA as a result of the violation of these stand construction regulations.

5. Operational safety, technical safety provisions, technical regulations, technical utilities

5.1 General regulations

Exhibitors are responsible for operational safety and maintaining compliance with occupational health and safety and accident prevention regulations on their stands.

All set-up and dismantling work shall comply with occupational health and safety and industrial regulations.

5.1.1 Damage

Any and all damage caused by exhibitors or their agents on the exhibition grounds, in its buildings, or to their equipment or furnishings shall be repaired by DECHEMA at exhibitors' expense following the close of the event.

5.1.2 Coordination of work on the exhibition grounds

Should it be necessary for employees of multiple companies to work at the stand simultaneously (particularly during the set-up/dismantling phases), their work shall be coordinated by the stand construction manager in accordance with the Occupational Health and Safety Act [ArbSchG] and DGUV Regulation 1 (German Statutory Accident Insurance) if there is the potential for endangering one another. This also applies to work performed at the stand by service partners of DECHEMA and of the trade fair company/Messe Frankfurt.

Furthermore, the measures that are necessary for improving safety and preventing health hazards for employees in the workplace in accordance with the currently applicable European Union Directive 89/391/EEC must be observed and put into practice during work on the exhibition grounds.

5.2 Employment of tools and other equipment

The use of stud guns may be approved on a case-by-case basis.

Employment of woodworking machinery that lacks sawdust/chip extraction systems is prohibited. Employment of cranes and forklifts is reserved exclusively for Messe Frankfurt's Logistics Service. Employment of exhibitors' own forklifts is prohibited for safety reasons. Forklifts and help with loading and unloading may be provided on a fee basis by the Logistics Service of Messe Frankfurt, if required. The use of electric lift trucks for transporting goods at ground level is permitted. Electric lift trucks are permitted exclusively for installation work on the rented stand area, but not for loading and unloading purposes.

5.3 Electrical installations

5.3.1 Electrical outlets

Every stand that is supplied with electric power has one or more electrical outlets. This is done exclusively by contract partners of DECHEMA and is subject to a fee. The electrical supply shall be shut off one hour after the event closes on their final day for safety reasons. For safety and fire protection reasons it is necessary that all devices that consume electricity be turned off at the end of every event day when leaving the stand. Exception: Emergency lighting, all systems pertaining to safety and security, refrigerators, computers and servers that are required for stand facilities and which would require a great deal of time/effort were they to be restarted.

5.3.2 Stand electrical installations

Electrical installations on stands can be carried out by DECHEMA's contracted firms that are approved by Messe Frankfurt. Exhibitors shall place their orders for same directly with DECHEMA.

In the event that electrical installations are carried out inside the stand and have not been ordered through DECHEMA, a formal approval of said stand installations by the responsible hall electrician shall take place before they are connected to Messe Frankfurt's electrical supply network.

5.3.3 Installation and operating regulations

All electrical systems shall be installed and operated in compliance with the latest safety regulations of VDE Verband der Elektrotechnik Elektronik Informationstechnik e.V. (Association for Electrical, Electronic & Information Technologies), in particular VDE 0100, 0100-718, 0128 and IEC standard 60364-7-711.

Exhibitors shall be fully liable for any damage to Messe Frankfurt's exhibition halls, sections of its buildings, or to exhibition stands or exhibits that may occur due to defective or incorrectly installed electrical installations.

The percentages of high-frequency or low-frequency interference transmitted to the network shall not exceed those stated under VDE 0160 and VDE 0838 (EN 50 006).

For devices and exhibits with frequency converters, the exhibitor shall install suitable universal current-sensitive residual current-operated protective devices (RCD) of type B in accordance with DIN VDE 0664.100.

Furthermore, exclusively insulated wiring of types NYM, H05VV-F and H05RR-F having a minimum cross-sectional area of 1.5 mm² copper shall be employed. All types of wiring shall be employed exclusively in compliance with the regulations of DIN VDE 0281 and 0282.

Employment of any type of flat conductors is prohibited.

Employment of bare electrical wiring or terminals on low-voltage systems is prohibited.

Secondary lines shall be protected against short circuiting and overloading.

5.3.4 Safety precautions

All electrical appliances, which give off heat (hot plates, spotlights, transformers, etc.) shall be mounted on non-flammable, heat-resistant, insulating bases in order to provide extra protection.

Sufficiently large distances from any combustible materials, suited to the quantities of heat generated, shall be maintained at all times.

Lighting fixtures shall not be attached to any combustible decorations or similar.

5.3.5 Emergency lighting

Stands on which existing general emergency lighting is ineffective due to their construction shall require their own additional emergency lighting, as required by VDE 0100-718, which shall be laid out such that it will reliably allow persons to find their way to the general escape routes.

5.3.6 Equipotential bonding (stand earthing) for metal constructions

The constructor must ensure that all metal constructions (e.g. trusses) with electrical appliances are fitted with an

additional equipotential bonding (copper, at least 10 mm²) (VDE 0100 Part 711).

The transfer point on the hall floor (stand earthing) can be ordered from DECHEMA via the online order system.

5.4 Water and drain installations

Every stand that is to be supplied with water or a drain will be supplied with one or more connections to water/drain lines. Connections to exhibition hall water and drain lines shall be via 1/2" pipes in the case of water lines and 40-mm pipes in the case of drain lines. Water and drain lines shall be routed over exhibition hall floors to the rear or side walls of stands via the shortest routes. Underfloor/underground routing may be provided on hall levels 4.0, 8.0 and 9.0 and on outdoor exhibition areas. Within stands, lines will be routed above floor level, along stand walls, possibly also to supply neighbouring stands.

In order to be able to provide exhibitors with rapid assistance in the event that problems arise, Messe Frankfurt shall operate an emergency stand-by service on all days of the event. In cases of malfunction please contact the hotline "sanitary" at +49 69 7575-6678.

Connections within the stands shall also be installed exclusively by DECHEMA's contract installers. Charges for additional plumbing fixtures, such as rental of wash basins, sinks, etc., and for installation of the exhibitor's own equipment shall be invoiced to exhibitors.

Water supplies shall be shut off on the final day of the fair, usually one hour after the event closes, for safety reasons. All installations within the stand must comply with the current German Drinking Water Ordinance to ensure that the installation and operation of a water connection does not exert any long-term detrimental effects on the quality of the drinking water.

5.5 Compressed air, gas installations

5.5.1 Compressed air installations

Every stand that is to be supplied with compressed air shall be equipped with one or more connections to supply lines. Installation of said connections shall be arranged by DECHEMA.

Max. pressure: 8 bar (pressure reducer should be used, if required)

Supplied via compressed air hoses equipped with ball valves:

1/2" up to 1500 l/min

3/4" exceeding 1500 l/min

Compressed air shall be supplied commencing on the final day of the set-up period. During AACHEMA compressed air supply will be provided day and night. Due to safety reasons DECHEMA reserves the right to terminate the compressed air supply on the last day off the event one hour after it closes.

5.5.2 Gas installations

Every stand that can be supplied with gas/natural gas has one or more connections to supply lines. The regulations of the German Association of the Gas and Water Industry ("Deutscher Verein des Gas- und Wasserfaches e.V." [DVGW]) regarding installation of items of equipment shall be binding. Exhaust gases from larger items of equipment shall be conducted outdoors. Installation of connections to supply lines shall be arranged by DECHEMA.

Access to shutoff valves for gas systems installed on stands shall be clearly identified by safety markings thereon complying with ASR A1.3.

5.6 Machinery, pressure vessels, exhaust systems

5.6.1 Noise generated by machinery

Operation of noisy machinery and other equipment should be restricted in the best interests of all exhibitors and visitors.

Noise levels at the boundaries of stands shall not exceed 70 dB(A).

5.6.2 Equipment and product safety

Exhibitors of technical equipment have to comply with the provisions of the German Product Safety Act (ProdSG) and the respective applicable harmonised EU regulations. When used in compliance with the specifications, operators and third parties must be protected from risks to life and health.

On no account shall equipment and machinery be demonstrated without the corresponding safety devices. Should technical equipment and machinery be demonstrated in operation, components or safety devices can be made of transparent material instead of the normal guards, insofar as the same safety is guaranteed.

Technical equipment and machinery exhibited may be subjected to a visual inspection by a commission. This holds for the duration of the event. If it is established that the machinery and equipment do not comply with the provisions of the Product Safety Act, the Department of Occupational Health and Safety and Environment of the Darmstadt Regional Administrative Council (Regierungspräsidium) shall be entitled to impose a fine or to prohibit the exhibit with immediate effect even if same has already been installed for the exhibition. In the case of certain technical equipment and machinery, a CE conformity marking shall be affixed as a visible sign of compliance with the aforementioned regulations. In order to verify whether the CE conformity marking complies with the relevant regulations, the exhibitor shall at all times hold in readiness on the stand the German language version of both the EU conformity declaration and/or the manufacturer's relevant certificate of compliance as well as the operating instructions. In accordance with § 3, section 5 ProdSG it is admissible to exhibit items of equipment at exhibitions, presentations and similar that do not comply with the provisions insofar as they shall bear a visible sign clearly indicating that they fail to comply with the provisions of said regulations and may not be purchased until such time as the manufacturer or his authorised agent established in the Community shall have brought said items into compliance therewith. The inscription on the sign shall correspond to the following text: This product does not comply with the provisions of the German Product Safety Act – ProdSG - and cannot be purchased until such time as it has been brought into compliance therewith.

In the case of demonstrations, the stand personnel shall take the requisite safety measures to protect the public. DECHEMA shall be entitled to prohibit the exhibition or demonstration of equipment at any time if, in its opinion, there is reason to fear that same might cause safety hazards or disturb others. Irrespective thereof, the Department of Occupational Health and Safety and Environment of the Darmstadt Regional Administrative Council shall be entitled to issue an injunction prohibiting same.

5.6.2.1 Safety equipment

Components of machinery and apparatus shall be placed in operation only if equipped with all safety devices. Safe, transparent covers may be used instead of the normal guards.

In the event that items of equipment shall not be placed in operation, the safety equipment may be removed in order to allow visitors to inspect the design and workmanship of the exposed components. However, said safety equipment shall remain visibly displayed alongside the machine.

5.6.2.2 Inspection procedures

Exhibited items of equipment shall be inspected by the responsible regulatory agency, i.e. the Frankfurt-based Department of Occupational Health and Safety and Environment of the Darmstadt Regional Administrative Council (Regierungspräsidium), jointly with the responsible specialist committees of the employers' liability insurance associations, if applicable, and its compliance or non-compliance with applicable accident prevention and safety regulations determined. In order that CE conformity markings may be readily verified by the agency, EU certificates of conformity shall be available for inspection on stands at all times. Exhibitors who have any doubts about the equipment to be exhibited should contact the responsible agency well in advance of the opening of the event.

5.6.2.3 Prohibition of operation

In addition, DECHEMA shall be entitled to prohibit the operation of machinery, apparatus or other items of equipment at any time if, in its opinion, their operation might cause personal injuries or property damage.

5.6.2.4 Additional protective measures

All work equipment and construction machinery must have been tested regularly as specified in the German Ordinance on Industrial Safety and Health. Unsecured loads must not be lifted above persons. Further information regarding loads above persons at events can be found in DGV Information 215-313 "Lasten über Personen" (Loads above persons). Furthermore, technical and/or organisational measures must be put in place to ensure that the failure of a hydraulic system or cable drive does not result in the uncontrolled lowering of equipment/components/ loads. These measures may include blocking access to the danger area, using hydraulic fuses to protect against line breaks, or mechanical couplings to support the hydraulic cylinder. The exhibitor is responsible for the structural stability and safe operation of all exhibits and may be required to submit proof of same. DECHEMA reserves the right to engage a qualified person to conduct an inspection at the exhibitor's expense.

5.6.3 Pressure vessels

When setting up, testing and operating pressure vessels or compressed gas vessels, the Industrial Safety Regulation (Betriebssicherheitsverordnung [BetrSichV]) shall be observed.

5.6.3.1 Certificate of inspection

Pressure vessels may only be operated on the stand if the required inspections have been carried out in accordance with the currently valid version of the Industrial Safety Regulation. The necessary approval certificates shall be kept on hand for inspection by regulatory agencies during the event. Information on the relevant regulations can be obtained from

Regierungspräsidium Darmstadt
Abteilung Arbeitsschutz und Umwelt Frankfurt
Gutleutstraße 114
60327 Frankfurt am Main
GERMANY

Phone: +49 69 2714-0
Fax: +49 69 2714-5951

5.6.3.2 Inspection test

In addition to the submission of certifications of structural and hydrostatic pressure testing (EC declaration of conformity and required documentation in German or English), on-site approval is also required.

If applications are received up to 6 weeks prior to the start of the fair, pressure vessels subject to inspection may undergo an acceptance test at the stand by the German Technical Inspection Association [TÜV] up to one day prior to the opening of the fair. A person responsible for the pressure vessel must be present at the stand. Inquiries regarding same should be addressed to Messe Frankfurt, Technical Event Management, e-mail: veranstaltungstechnik@messefrankfurt.com.

5.6.3.3 Rental equipment

Since assessments of pressure vessels manufactured in foreign countries cannot be completed during the relatively short set-up periods, employment of tested rental vessels is to be preferred. Exhibitors shall be charged for rental of same.

5.6.3.4 Inspections by regulatory agencies

The necessary inspection certificates shall be kept on hand for inspection by regulatory agencies during the event. Information can be obtained from the relevant regulatory authority, the Frankfurt-based Department of Occupational Health and Safety and Environment of the Darmstadt Regional Administrative Council (Regierungspräsidium).

5.6.4 Exhaust gases and vapours

Combustible or toxic gases or vapours and gases regarded as offensive to the general public that are released or evolved by exhibits or items of equipment shall not be conducted into exhibition halls.

Same shall be conducted outdoors via suitable exhaust ducts, as stipulated under the currently valid version of the German Federal Pollution Protection Act (“Bundesimmissionschutzgesetz”).

5.6.5 Exhaust systems

Installation of exhaust ducts connected to an exhaust outlet for exhausting combustible or toxic gases or vapours or gases regarded as offensive by the general public shall be required. Applications for exhaust ducts extending outdoors shall be made exclusively to DECHEMA and shall be installed by Messe Frankfurt, using its own materials, wherever feasible. The connections to exhibits shall be effected by the exhibitor. Applications for same may be submitted informally, but should be accompanied by floor plans indicating where connections should be installed. Cost estimates shall be sent to applicants. Work shall commence only once they have accepted said cost estimates.

5.7 Employment of compressed gases, liquid gases, combustible liquids and hazardous materials

5.7.1 Pressurised gas and liquid gas systems

Storage or use of pressurised and liquid gases in exhibition halls and on outdoor exhibition areas without the written approval of DECHEMA is prohibited. **DECHEMA shall be notified in writing no later than 10 April 2024 of all gases to be used on the stand. If liquid gas vessels or compressed-gas cylinders shall be used, DECHEMA shall be informed in writing of the quantity and type.**

5.7.1.1 Applications for approval of compressed gas cylinders

If liquid gas or other gases stored in compressed gas cylinders or cans are to be used, approval therefor shall be obtained from DECHEMA, Technical Organisation, well in advance of the event in writing (by **10 April 2024** at the latest). In accordance with the Technical Regulations TRBS 3145/TRGS 745 (portable compressed-gas cylinders), compressed gas cylinders shall be protected against impacts, falling over, tampering by unauthorised persons and sources of heat. Technical Regulations for Hazardous Substances 800 [TRGS 800] (fire protection measures) must be observed, and designation in accordance with DIN EN 1089 (colour coding) is required. Cylinders must be colour coded in accordance with the regulations and be operated in an upright position. Stands with compressed gas and liquid gas cylinders must be labeled with warning signs acc. ASR A1.3 and DIN EN ISO 7010. Storage of compressed gas cylinders/tanks in the exhibition hall is to be limited to the daily requirement. The storage location must be clearly and visibly identified by pictograms.

5.7.1.2 Employment of liquid gases for firing purposes

Employment of liquid gases for firing purposes in exhibition halls is generally prohibited. However, in the case of approved exceptions, i.e. if necessary to accomplish the purpose of the exhibition, a single compressed gas cylinder having a content of 11 kg or less may be set up on exhibition stands.

Empty gas cylinders shall not be kept or stored on stands or in the exhibition halls.

A gas detection system is required in some circumstances. The replacement of cylinders within the exhibition hall must be agreed with DECHEMA, Technical Organisation. The exhibitor must check to ensure there are no leaks before commencing operation.

5.7.1.3 Installation and maintenance of liquid gas systems

The Technical Regulations Applying to Liquid Gases (“Technische Regeln Flüssiggas”), TRF in its valid form, published by the German Association of the Gas and Water Industry (“Deutscher Verein des Gas- und Wasserfaches e.V.” [DVGW]) and the German Liquid Gases Association (“Deutscher Verband Flüssiggase e.V.” [DVFG]), as well as the DGUV Regulations 79 on the Use of Liquid Gas, shall be observed when installing or maintaining liquid gas systems. 5.7.1.1 must be observed. If the occurrence of a hazardous explosive atmosphere cannot be ruled out, an explosion protection document must be prepared in accordance with § 9 section 4 of the Ordinance on Industrial Safety and Health (Betr. SichV) and submitted to DECHEMA together with the application. The entire systems must be inspected by an expert (qualified person) and be recorded in the hazard assessment.

5.7.2 Combustible liquids

5.7.2.1 Storage and use

Storage or use of combustible liquids (cf. Industrial Safety Regulation [BetrSichV] and German Ordinance on Hazardous Substances [GefStoffV]) in the exhibition halls or in outdoor areas without written authorisation is prohibited.

Approvals for storage and/or use of combustible liquids for operating and/or demonstrating exhibits may be granted. The associated applications shall be submitted to DECHEMA along with safety data sheets. Replicas are to be used for advertising and demonstration purposes.

5.7.2.2 Storage of operating supplies

Supplies of combustible liquids sufficient for one day’s operation and/or demonstration only may be stored on stands. The quantities involved shall be stated on applications for approval.

When storing flammable, highly flammable or extremely flammable liquids in mobile containers, the requirements of the Technical Rules for Hazardous Substances TRGS 510 “Storage of hazardous substances in non-stationary containers” in conjunction with the Technical Rules for Operational Safety TRBS 2152 “Hazardous Explosive Atmospheres” (General and Parts 1 to 3) and TRBS 2153 “Avoidance of ignition hazards resulting from electrostatic charges” must be implemented.

5.7.2.3 Storage vessels

Said daily supplies shall be neatly stored in closed, unbreakable vessels and be protected against unauthorised access. Storage vessels shall be stored in non-flammable collecting basins.

5.7.2.4 Storage locations

Smoking shall be prohibited at all times at storage locations. Suitable “No Smoking” signs shall be posted. Suitable manual fire extinguishers shall be on hand at all times.

5.7.2.5 Operation requirements

Systems that are operated by, or demonstrated using combustible liquids shall be equipped with non-flammable collecting basins on their filling fittings, and at other locations where liquids might exit. Any combustible liquids that may enter collecting basins shall be immediately removed and safely disposed of in order to preclude any fire and/or explosion hazards.

5.7.2.6 Filling systems with combustible liquids

Since temporary hazards arise when filling systems with combustible liquids, this may only be done when there are no visitors at the event. It must also be ensured that there are no ignition sources or electrostatic charges present.

5.7.2.7 Empty containers

Empty containers that have contained combustible liquids shall not be kept or stored on stands or in exhibition halls.

5.7.3 Combustible pastes and other fuels

Heating or cooking devices fired by wood, coal, gas, combustible liquids or combustible pastes are prohibited.

5.7.4 Hazardous materials

According to the German Hazardous Substances Ordinance (GefStoffV) the use of all hazardous materials and preparations requires approval. The relevant application shall be submitted to DECHEMA together with the safety data sheet.

5.8 Asbestos

Employment or use of building materials that contain asbestos or products that contain asbestos is prohibited.

5.9 Movie, slide and television screenings, stages, platforms and other presentations

Spectator rooms having floor areas exceeding 100 m² and/or intended for more than 100 visitors shall have at least two exits leading immediately to exhibition hall walkways. Said exits shall be as widely separated as possible and situated on opposite sides of said rooms.

Spectator rooms accommodating more than 200 persons require special approval (cf. item 4.5). For stages/platforms > 50 m², § 40 of H-VStättR (Hessian guidelines on public meeting places) shall apply.

5.10 Radiation protection

5.10.1 Radioactive materials

Handling or using radioactive materials requires approval pursuant to the German Radiation Protection Regulations (StrlSchV); this also applies to exhibiting such materials.

Said approval shall be applied for in writing to the authority responsible for the exhibition site

Regierungspräsidium Darmstadt
Abteilung Arbeitsschutz und Umwelt Frankfurt
Gutleutstraße 114
60327 Frankfurt am Main
GERMANY

Phone: +49 69 2714-0
Fax: +49 69 2714-5951

and shall be submitted to DECHEMA no later than **10 April 2024**.

In the event that approval has already been granted, it shall be demonstrated that the planned handling or use of radioactive materials on the exhibition grounds is legally justified.

The fire protection authorities of the city of Frankfurt am Main (Branddirektion, Vorbeugender Brandschutz) shall be informed in writing regarding the approved handling or use of radioactive materials and the installation/usage sites involved.

5.10.2 X-ray systems and sources of broadcast interference

Operation of X-ray systems or sources of broadcast interference requires approval and shall be coordinated with DECHEMA.

For this purpose, the German Radiation Protection Regulations (StrlSchV) must be observed.

In accordance with StrlSchV, the operation of X-ray systems or sources of broadcast interference requires either approval or notification thereof. The responsible regulatory agency is

Regierungspräsidium Darmstadt	Phone: +49 69 2714-0
Abteilung Arbeitsschutz und Umwelt Frankfurt	Fax: +49 69 2714-5951
Gutleutstraße 114	
60327 Frankfurt am Main	
GERMANY	

to whom applications for approval or notifications shall be informally submitted at least 6 weeks prior to the opening of the event.

The fire protection authorities of the city of Frankfurt am Main (Branddirektion, Vorbeugender Brandschutz) shall be informed in writing regarding approved operation and the installation/usage sites of X-ray systems and approved stray radiation sources.

5.10.3 Laser systems

The operation of laser equipment must be registered with DECHEMA, Technical Organisation and, where applicable, requires approval.

The operation of laser systems must be in compliance with the requirements of the German occupational health and safety regulations on artificial optical radiation OStrV, Technical Rules for Laser Radiation [TROS Laserstrahlung], DIN EN 60825-1 and DIN EN 12254; show lasers must also meet the requirements of DIN 56912.

Technical or organisational measures must ensure that, when adjusting and operating the laser system, no persons shall be exposed to a laser beam exceeding the maximum permissible radiation. When demonstrating Class 3R, 3B or 4 laser systems at exhibitions or trade fairs it must be ensured that no uncontrolled reflected radiation can occur and the laser area around the laser equipment must be so closely confined by barriers or an enclosure marked with laser warning signs as to render it inaccessible to persons.

Furthermore, the operation of Class 3R, 3B or 4 laser systems at stands is only permitted if they have been inspected by a publicly appointed and sworn authority before the start of the fair and declared safe. A copy of the "Inspection protocol for temporary installations" is to be submitted to DECHEMA.

A tour inspection does not replace the on-site inspection.

In the event that your laser/LED equipment, during normal operation and/or during the set-up phase, corresponds to Class 3R, 3B or 4 in accordance with DIN EN 60825-1, you must have a trained laser protection advisor pursuant to IEC/EN 60 825 and/or 2006/25/EG/OStrV (national) at your stand. Please include a copy of the certification of the laser protection advisor with your registration, along with a copy of the necessary certification/classification of the laser system from an independent testing institute (e.g. TÜV, BG-Zert, VDE, BSI, UL, FDA).

In the event that the operator modifies or adds to the laser system after the inspection by a publicly appointed and sworn authority has taken place, the permission to operate the system becomes null and void. Should this occur, DECHEMA or Messe Frankfurt shall be entitled to turn off the power supply to the stand or to confiscate the laser system (the system would be returned on the final day of the fair after the event has closed).

5.10.4 LED

The Technical Organisation Team of DECHEMA must be notified if LED systems or spotlights of Risk Class 2 or 3 that are very powerful or very bright are to be used. Suitable extinguishing units/agents are to be kept in the direct vicinity of all LED systems and must be ready to use at all times. The rear of LED walls/screens must remain accessible to the fire brigade without the use of tools.

5.11 High-frequency equipment, radio transmitters, electromagnetic compatibility and harmonics

Operation of high-frequency equipment, radio transmitters or other devices emitting electromagnetic radiation requires the approval of the German Federal Network Agency (Bundesnetzagentur) and of Messe Frankfurt.

The frequency bands and transmission power must be specified in order to ensure an even distribution of frequencies and to help avoid any mutual interference where possible.

The fire protection authorities of the city of Frankfurt am Main (Branddirektion, Vorbeugender Brandschutz) shall be informed in writing regarding approved operation and the installation/usage sites of high-frequency equipment, radio transmitters or other devices emitting electromagnetic radiation.

Operation of high-frequency equipment or radio transmitters shall be approved only if they comply with the provisions of the German Act on Telecommunications (“Telekommunikationsgesetz”) and the Act on the Electromagnetic Compatibility of Equipment (“Gesetz über die elektromagnetische Verträglichkeit von Geräten” [EMVG]).

Operation of paging systems, microphone systems, intercommunications systems and radiocommunication systems requires the approval of

Bundesnetzagentur für Elektrizität, Gas,
Telekommunikation, Post und Eisenbahnen
Außenstelle Eschborn
Auf der Ludwigshöhe 204
64285 Darmstadt
GERMANY

Phone: +49 6151 170-255
Fax: +49 6151 170-181

Irrespective of any approvals issued by said agency, placing wireless paging systems into operation requires the approval of Messe Frankfurt in order to ensure that the frequency bands involved will be evenly distributed and interference will be precluded to the maximum extent feasible.

Said approval shall be applied for to Messe Frankfurt, stating the technical data of the systems to be involved. Orders for assignment of frequency bands shall be submitted on the respective order form.

The provisions of the 26th Regulation on the Implementation of the German Federal Pollution Protection Act (“26. Verordnung zur Durchführung des Bundesimmissionsschutzgesetzes”) shall be observed whenever exhibits or stand decorations that employ electric, magnetic or electromagnetic fields are exhibited or employed. Messe Frankfurt shall be notified regarding any sources of strong magnetic fields present on stands and their respective locations.

5.12 Cranes, forklifts, empty packaging

For safety reasons, the operation of exhibitors’ own lifting equipment on the exhibition grounds is prohibited. Only the equipment of Messe Frankfurt and its official logistics partners may be operated. Forklift and crane services on the exhibition grounds can only be ordered from Messe Frankfurt; these services will be performed by its logistics partners. The same shall apply for the storage of freight/goods and empty packaging during the event. The relevant ordering options are available online at www.achema.de.

The latest version of the General Terms and Conditions for German Freight Forwarders (“Allgemeine Deutsche Spediteurbedingungen” [ADSp]) and the Schedule of Freight Forwarding Rates for Trade Fairs and Exhibitions in Frankfurt (“Speditionstarif für Messen und Ausstellungen in Frankfurt”) shall apply to all freight forwarding orders on the exhibition grounds. The storage of empty packaging of any kind on stands is prohibited. Any empty packaging must be removed as soon as it is empty. It can be stored by the Messe Frankfurt’s Logistics Services:

Logistics Services
Cargo Center Messe Frankfurt
Ludwig-Erhard-Anlage 1
60327 Frankfurt am Main
GERMANY

Phone: +49 69 75 75-60 75
Fax: +49 69 75 75-9 6075
E-mail: logistics@messefrankfurt.com

The placement of packaging materials or exhibits in the aisles of exhibition halls, even for short periods, is prohibited.

Customs clearance for temporary or permanent imports and transport to and from the exhibition grounds can be ordered and provided without obligation.

5.13 Musical reproduction

Musical reproductions of all kinds shall be subject to provisions of the German Act for Protection of Copyright and Related Property Rights (“Urheberrechtgesetz”), § 15 and shall require the approval of GEMA, the musical authors’ rights society.

GEMA Generaldirektion Berlin
Postal address:
Postfach 30 12 40
10722 Berlin
GERMANY

Phone: +49 30 212 45-00
Fax: +49 30 212 45-950
E-mail: messe@gema.de
gema@gema.de
Internet: www.gema.de

See also: www.gema.de/musiknutzer/musik-lizenzieren/messestand-messehalle/

Musical reproductions that have not been registered with GEMA may result in damage claims being filed by the latter (cf. § 97 of the German Act for Protection of Copyright and Related Property Rights [“Urheberrechtgesetz”]). For events featuring musical performances where high sound pressure levels (volumes) are expected, the contracting party is responsible for determining what, if any, safety measures are required to prevent injury to listeners. The contracting party is responsible for taking these measures. The contracting party must limit the volume such that visitors and third parties are not injured during the event (hearing loss etc.). Generally recognised engineering standards are set out in DIN 15905 “Event Technology – Sound Engineering – Part 5: Measures to prevent the risk of hearing loss of the audience by high sound exposure of electroacoustic sound systems”. The contracting party must comply with these standards. Furthermore, the contracting party must ensure that there is a sufficient quantity of hearing protection devices (e.g. earplugs) on hand and provide these to visitors on request unless any danger to visitors through excessive sound pressure can be excluded. There must be clear notification of this.

5.14 Beverage dispensing systems

The installation and operation of beverage dispensing systems is no longer subject to registration; however, the operator of a beverage dispensing system has sole responsibility for its safety and hygiene. It must be demonstrated that said systems are free of any technical or hygienic concerns, and this may in some cases be tested by the Ordnungsamt. EU Regulation No. 852/2004 of the European Parliament and Council on food hygiene, dated 29 April 2004, shall apply. Compressed gas cylinders must be registered with DEHEMA.

The monitoring of beverage dispensing systems is performed by the veterinary and food safety department at the

Stadt Frankfurt am Main
Ordnungsamt
Abteilung Veterinärwesen
Kleyerstraße 86
60326 Frankfurt am Main
GERMANY

Phone: +49 69 212-47099
E-mail: veterinaerwesen@stadt-frankfurt.de

5.15 Food inspections

In the event that free samples of foods or beverages are to be distributed for consumption on site, statutory regula-

tions must be observed, particularly the German Food Hygiene Regulations [LMHV] and regulation (EU) No 1169/2011 on the provision of food information to consumers [LMIV]. Exhibitors should contact the

Stadt Frankfurt am Main
Ordnungsamt
Abteilung Veterinärwesen
Kleyerstraße 86
60326 Frankfurt am Main
GERMANY

Phone: +49 69 212-47099
E-mail: veterinaerwesen@stadt-frankfurt.de

Over-the-counter sales of food or beverages at the event (including cash sales) are prohibited. Said prohibition explicitly includes the final day of the event.

5.16 Vehicle and driving demonstrations

Vehicle demonstrations of all kinds (in exhibition halls and in outdoor areas) require an application and are subject to approval. For more information, please contact DECHEMA, Technical Organisation, e-mail: standapproval@dechema.de.

6. Environmental protection

DECHEMA and Messe Frankfurt have totally committed themselves to the cause of preventive environmental protection. As contractual partners of DECHEMA, exhibitors shall be obliged to ensure that all regulations and rules related to environmental protection shall also be observed by their own contracting parties (e.g. stand constructors) at all times.

Exhibitors shall be obliged to comply with all regulations related to preservation of species, and shall be held legally and financially responsible for their participation in exhibitions.

6.1 Waste

All the following provisions are based on the Waste Management Act [KrWG], as amended, the associated regulations and ordinances, particularly the Commercial Waste Ordinance [GewAbfV], state laws and municipal codes.

Exhibitors shall be responsible for proper, environmentally friendly disposal of waste arising during set-up and dismantling of their stands, as well as during the event. The exhibitor is considered to be the party that generated this waste. Collection and transport of waste for recycling or disposal shall be handled solely by Messe Frankfurt or its appointed contractors.

6.1.1 Waste disposal

A basic principle of waste management is that waste arising on exhibition grounds should be largely avoided. Exhibitors and their contractors shall be obliged to contribute to reducing incidence of waste during all phases of the event.

This objective shall be taken into account at the planning stage and coordinated with all involved. In general, reusable, environmentally friendly materials should be employed for stand construction and operation.

Exhibitors, or stand construction companies engaged by them, shall be responsible for waste disposal and cleaning of their stands during the event. It is possible to commission Messe Frankfurt with the proper waste disposal during the set-up and dismantling period at www.achema.de.

During the event, usual, average amounts of waste are included in the rental price. It can be packed in a waste bag and deposited in the aisle at the end of each day of the event.

Vacating exhibition areas following the conclusion of the event:

Exhibition areas shall be cleaned and vacated no later than the final day of the dismantling period. Adhesive tape, paint residues and similar shall be totally removed.

If a request is made with the hall inspector's office, the exhibition area will be inspected jointly with the exhibitor's representative and its proper return confirmed in writing. If the exhibition area is not returned in proper condition DECHEMA will have it cleaned and restored at the exhibitor's expense.

Exhibitors' liabilities for accidents and consequential damages terminate upon conclusion of proper cleaning and restoration only. Any materials left behind will be disposed of at increased rates at the exhibitor's expense, without their value being assessed.

6.1.2 Waste requiring special supervision

Exhibitors and their contract partners (e.g. stand constructors) shall be obliged to report wastes, such as batteries, lacquers, solvents, lubricants, paints, etc., that, due to their nature, properties or quantities, are particularly hazardous to health, air or water resources, are explosive or combustible, to Messe Frankfurt and to have them properly disposed of by Messe Frankfurt.

Marked containers for smaller quantities of such special wastes have been put out on the exhibition grounds.

6.1.3 Waste brought onto the exhibition grounds

Any materials or wastes that are not produced in conjunction with the event or with set-up and dismantling work shall not be brought onto the exhibition grounds.

6.2 Water, wastewater, soil protection

6.2.1 Oil, grease traps

The quantities of oil/grease conducted into the sewer system shall not exceed the usual household quantities. In the event that quantities of waste water containing oil and/or grease exceeding same are to be conducted into the sewer system, employment of oil/grease traps shall be required. These must be in compliance with generally recognised engineering standards.

If mobile catering equipment is to be employed, exhibitors shall make certain that oils and grease shall be separately trapped and disposed of separately.

6.2.2 Stand cleaning, cleaning agents

Stand cleaning can be ordered from DECHEMA at the exhibitor's expense (www.achema.de). DECHEMA shall in turn commission cleaning services from designated firms via Messe Frankfurt. Exhibitors shall not be entitled to contract cleaning work out to contractors on their own.

All cleaning work shall employ biodegradable products.

In keeping with regulations, cleaning agents that contain solvents hazardous to health shall be employed in exceptional cases only.

6.3 Environmental pollution

Exhibitors shall immediately notify DECHEMA regarding environmental hazards/pollution due to, e.g., gasoline, solvents or paints.

6.3.1 Packaging materials

The German Packaging Regulation (“Verpackungsverordnung”) dated 21 August 1998 (German Federal Law Gazette [BGBl] I, p. 2379 including amendments) obliges manufacturers and distributors either to accept return of packagings, such as cartons, foils, crates, pallets, etc., or to have the materials involved recycled. Exhibitors should thus have their packagings that will be needed once again during dismantling placed in temporary storage by Messe Frankfurt’s Logistics Service. Exhibitors may have packaging materials that are no longer needed sent off for recycling by Messe Frankfurt.

6.3.2 Kitchen waste

Kitchen and catering waste shall be collected and carefully sorted into plastics, glass, paper and garbage. Exhibitors who would rather not handle waste disposal themselves may order waste disposal services from Messe Frankfurt.

6.3.3 Manufacturing waste

Incidences of manufacturing wastes shall be reported to Messe Frankfurt, stating the types and quantities of the materials involved.

6.3.4 Stand components

Exclusively PE or PP adhesive tapes shall be employed for laying carpeting and protective foils.

The disposal of materials and bulk material accruing during the set-up and dismantling periods can be ordered at www.achema.de.

7. General remarks

DECHEMA’s House Rules shall apply throughout the entire exhibition grounds.

Exhibitors shall be responsible for operational safety and compliance with occupational safety and accident prevention regulations on their stands. Exhibitors shall be liable for all damage due to the construction and operation of their stands and to exhibits placed thereon. The exhibitor and their contracting parties must ensure that their set-up and dismantling activities do not endanger any other persons present in the venue. Insofar as necessary, the exhibitor and their contracting parties must ensure that their activities and work are properly coordinated. If this is not possible, they must temporarily halt work and contact DECHEMA.

Throughout the entire set-up and dismantling periods, conditions inside and outside the exhibition halls and in outdoor areas are similar to those on a building site, and personnel must be informed of the particular hazards involved. Exhibition hall walkways shall be kept clear for use as emergency escape routes during set-up and dismantling periods and during the event. Storing stand construction materials, empty packaging or exhibits in walkways is thus prohibited.

Exhibitors shall allow representatives of the Government Agency for Occupational Health and Safety and Environment (“Staatliches Amt für Arbeitsschutz und Umwelt”), other regulatory agencies, employers’ liability insurance associations, police, fire department and also personnel of DECHEMA and Messe Frankfurt to enter their stands in order to inspect operational safety and accident prevention precautions at any time. In the event that any safety hazards shall be discovered, the instructions issued by the aforementioned organisations shall be followed immediately.

7.1 Liability

DECHEMA assumes no duty of care for exhibited goods or stand facilities and, in this respect, accepts no liability whatever for damage or loss. This disclaimer of liability is by no means restricted by guarding or surveillance measures implemented by DECHEMA. All cases of damage must be reported to the police, to the insurance company and to DECHEMA without delay. In other respects, DECHEMA only ever assumes liability in cases of wilful intent or

gross negligence.

DECHEMA also accepts liability for damages caused by simple negligence as long as such negligence relates to an infringement of those contractual duties which are of essential importance for fulfilment of the purpose of the contract (material contractual obligations). In such cases, claims for damages shall be limited to the typical damages that were foreseeable when the contract was concluded. In this respect, DECHEMA shall not accept any liability whatever for indirect damage or consequential damage caused by a defect, particularly including lost profits. The aforementioned disclaimer of liability does not apply to death, physical injury or damage to health. DECHEMA shall not be liable for any damage to exhibits or to other property of an exhibitor caused by faulty power supply or disposal.

Frankfurt a.M., as of October 2022